

# XC164CS-32F/32R

16-Bit Single-Chip Microcontroller  
with C166SV2 Core

Alkotech

تهیه و توزیع قطعات الکترونیک

Microcontrollers



Never stop thinking



**Edition 2006-08**

**Published by  
Infineon Technologies AG  
81726 München, Germany**

**© Infineon Technologies AG 2006.  
All Rights Reserved.**

#### **Legal Disclaimer**

The information given in this document shall in no event be regarded as a guarantee of conditions or characteristics ("Beschaffenheitsgarantie"). With respect to any examples or hints given herein, any typical values stated herein and/or any information regarding the application of the device, Infineon Technologies hereby disclaims any and all warranties and liabilities of any kind, including without limitation warranties of non-infringement of intellectual property rights of any third party.

#### **Information**

For further information on technology, delivery terms and conditions and prices please contact your nearest Infineon Technologies Office ([www.infineon.com](http://www.infineon.com)).

#### **Warnings**

Due to technical requirements components may contain dangerous substances. For information on the types in question please contact your nearest Infineon Technologies Office.

Infineon Technologies Components may only be used in life-support devices or systems with the express written approval of Infineon Technologies, if a failure of such components can reasonably be expected to cause the failure of that life-support device or system, or to affect the safety or effectiveness of that device or system. Life support devices or systems are intended to be implanted in the human body, or to support and/or maintain and sustain and/or protect human life. If they fail, it is reasonable to assume that the health of the user or other persons may be endangered.

# XC164CS-32F/32R

16-Bit Single-Chip Microcontroller  
with C166SV2 Core



SKYTECH

تهیه و توزیع قطعات الکترونیک

Microcontrollers



Never stop thinking

**XC164CS**

**Revision History: V1.1, 2006-08**

Previous Version(s):

V1.0, 2005-06 (XC164-32F)

| Page      | Subjects (major changes since last revision)   |
|-----------|--|
| <b>6</b>  | New derivatives added.   |
| <b>51</b> | Footnote at XTAL1 input pin.   |
| <b>55</b> | Footnote on leakage of P3.15 added.  |
| <b>76</b> | Green Package added.   |
| <b>75</b> | Thermal Resistance: $R_{THA}$ replaced by $R_{\theta JC}$ and $R_{\theta JL}$ because $R_{THA}$ strongly depends on the external system (PCB, environment).<br>$P_{DISS}$ removed, because no static parameter, but derived from thermal resistance. |

**We Listen to Your Comments**

Any information within this document that you feel is wrong, unclear or missing at all? Your feedback will help us to continuously improve the quality of this document. Please send your proposal (including a reference to this document) to:

[mcdocu.comments@infineon.com](mailto:mcdocu.comments@infineon.com)



SKYTECH

تهیه و توزیع قطعات الکترونیک

## Table of Contents

|          |  |           |
|----------|--|-----------|
| <b>1</b> | <b>Summary of Features</b> .....                             | <b>4</b>  |
| <b>2</b> | <b>General Device Information</b> .....                      | <b>7</b>  |
| 2.1      | Introduction .....   | 7         |
| 2.2      | Pin Configuration and Definition .....                       | 8         |
| <b>3</b> | <b>Functional Description</b> .....                          | <b>17</b> |
| 3.1      | Memory Subsystem and Organization .....                      | 18        |
| 3.2      | External Bus Controller .....                                | 20        |
| 3.3      | Central Processing Unit (CPU) .....                          | 21        |
| 3.4      | Interrupt System .....                                       | 23        |
| 3.5      | On-Chip Debug Support (OCDS) .....                           | 28        |
| 3.6      | Capture/Compare Units (CAPCOM1/2) .....                      | 29        |
| 3.7      | The Capture/Compare Unit CAPCOM6 .....                       | 32        |
| 3.8      | General Purpose Timer (GPT12E) Unit .....                    | 33        |
| 3.9      | Real Time Clock .....  | 37        |
| 3.10     | A/D Converter .....  | 39        |
| 3.11     | Asynchronous/Synchronous Serial Interfaces (ASC0/ASC1) ..... | 40        |
| 3.12     | High Speed Synchronous Serial Channels (SSC0/SSC1) .....     | 41        |
| 3.13     | TwinCAN Module .....   | 42        |
| 3.14     | Watchdog Timer .....   | 44        |
| 3.15     | Clock Generation .....                                       | 45        |
| 3.16     | Parallel Ports .....   | 45        |
| 3.17     | Power Management .....                                       | 47        |
| 3.18     | Instruction Set Summary .....                                | 48        |
| <b>4</b> | <b>Electrical Parameters</b> .....                           | <b>51</b> |
| 4.1      | General Parameters .....                                     | 51        |
| 4.2      | DC Parameters .....  | 54        |
| 4.3      | Analog/Digital Converter Parameters .....                    | 60        |
| 4.4      | AC Parameters .....  | 63        |
| 4.4.1    | Definition of Internal Timing .....                          | 63        |
| 4.4.2    | On-chip Flash Operation .....                                | 67        |
| 4.4.3    | External Clock Drive XTAL1 .....                             | 68        |
| 4.4.4    | Testing Waveforms .....                                      | 69        |
| 4.4.5    | External Bus Timing .....                                    | 70        |
| <b>5</b> | <b>Package and Reliability</b> .....                         | <b>75</b> |
| 5.1      | Packaging .....  | 75        |
| 5.2      | Flash Memory Parameters .....                                | 78        |

## **1 Summary of Features**

- High Performance 16-bit CPU with 5-Stage Pipeline
  - 25 ns Instruction Cycle Time at 40 MHz CPU Clock (Single-Cycle Execution)
  - 1-Cycle Multiplication ( $16 \times 16$  bit), Background Division ( $32 / 16$  bit) in 21 Cycles
  - 1-Cycle Multiply-and-Accumulate (MAC) Instructions
  - Enhanced Boolean Bit Manipulation Facilities
  - Zero-Cycle Jump Execution
  - Additional Instructions to Support HLL and Operating Systems
  - Register-Based Design with Multiple Variable Register Banks
  - Fast Context Switching Support with Two Additional Local Register Banks
  - 16 Mbytes Total Linear Address Space for Code and Data
  - 1024 Bytes On-Chip Special Function Register Area (C166 Family Compatible)
- 16-Priority-Level Interrupt System with 75 Sources, Sample-Rate down to 50 ns
- 8-Channel Interrupt-Driven Single-Cycle Data Transfer Facilities via Peripheral Event Controller (PEC), 24-Bit Pointers Cover Total Address Space
- Clock Generation via on-chip PLL (factors 1:0.15 ... 1:10), or via Prescaler (factors 1:1 ... 60:1)
- On-Chip Memory Modules
  - 2 Kbytes On-Chip Dual-Port RAM (DPRAM)
  - 4 Kbytes On-Chip Data SRAM (DSRAM)
  - 6 Kbytes On-Chip Program/Data SRAM (PSRAM)
  - 256 Kbytes On-Chip Program Memory (Flash Memory or Mask ROM)
- On-Chip Peripheral Modules
  - 14-Channel A/D Converter with Programmable Resolution (10-bit or 8-bit) and Conversion Time (down to 2.55  $\mu$ s or 2.15  $\mu$ s)
  - Two 16-Channel General Purpose Capture/Compare Units (12 Input/Output Pins)
  - Capture/Compare Unit for flexible PWM Signal Generation (CAPCOM6) (3/6 Capture/Compare Channels and 1 Compare Channel)
  - Multi-Functional General Purpose Timer Unit with 5 Timers
  - Two Synchronous/Asynchronous Serial Channels (USARTs)
  - Two High-Speed-Synchronous Serial Channels
  - On-Chip TwinCAN Interface (Rev. 2.0B active) with 32 Message Objects (Full CAN/Basic CAN) on Two CAN Nodes, and Gateway Functionality
  - On-Chip Real Time Clock
- Idle, Sleep, and Power Down Modes with Flexible Power Management
- Programmable Watchdog Timer and Oscillator Watchdog

**Summary of Features**

- Up to 12 Mbytes External Address Space for Code and Data
  - Programmable External Bus Characteristics for Different Address Ranges
  - Multiplexed or Demultiplexed External Address/Data Buses
  - Selectable Address Bus Width
  - 16-Bit or 8-Bit Data Bus Width
  - Four Programmable Chip-Select Signals
- Up to 79 General Purpose I/O Lines, partly with Selectable Input Thresholds and Hysteresis
- On-Chip Bootstrap Loader
- Supported by a Large Range of Development Tools like C-Compilers, Macro-Assembler Packages, Emulators, Evaluation Boards, HLL-Debuggers, Simulators, Logic Analyzer Disassemblers, Programming Boards
- On-Chip Debug Support via JTAG Interface
- 100-Pin Green TQFP Package, 0.5 mm (19.7 mil) pitch (RoHS compliant)

**Ordering Information**

The ordering code for Infineon microcontrollers provides an exact reference to the required product. This ordering code identifies:

- the derivative itself, i.e. its function set, the temperature range, and the supply voltage
- the package and the type of delivery.

For the available ordering codes for the XC164CS please refer to your responsible sales representative or your local distributor.

*Note: The ordering codes for Mask-ROM versions are defined for each product after verification of the respective ROM code.*

This document describes several derivatives of the XC164CS group. **Table 1** enumerates these derivatives and summarizes the differences. As this document refers to all of these derivatives, some descriptions may not apply to a specific product.

For simplicity all versions are referred to by the term **XC164CS** throughout this document.

تهیه و توزیع قطعات الکترونیک



**Summary of Features**

**Table 1 XC164CS Derivative Synopsis**

| Derivative <sup>1)</sup>                 | Temp. Range         | Program Memory      | On-Chip RAM  | Interfaces                                       |
|--|---------------------|---------------------|--|--|
| <b>Standard Devices<sup>2)</sup></b>     |                     |                     |  |  |
| SAK-XC164CS-32F40F<br>SAK-XC164CS-32F20F | -40 °C to<br>125 °C | 256 Kbytes<br>Flash | 2 Kbytes DPRAM,<br>4 Kbytes DSRAM,<br>6 Kbytes PSRAM | ASC0, ASC1,<br>SSC0, SSC1,<br>CAN0, CAN1,<br>CC6 |
| SAF-XC164CS-32F40F<br>SAF-XC164CS-32F20F | -40 °C to<br>85 °C  |                     |  |  |
| <b>Grade A Devices<sup>2)</sup></b>      |                     |                     |  |  |
| SAK-XC164CS-32F40F<br>SAK-XC164CS-32F20F | -40 °C to<br>125 °C | 256 Kbytes<br>Flash | 2 Kbytes DPRAM,<br>4 Kbytes DSRAM,<br>6 Kbytes PSRAM | ASC0, ASC1,<br>SSC0, SSC1,<br>CAN0, CAN1,<br>CC6 |
| SAF-XC164CS-32F40F<br>SAF-XC164CS-32F20F | -40 °C to<br>85 °C  |                     |  |  |
| <b>ROM Devices</b>                       |                     |                     |  |  |
| SAK-XC164CS-32R40F<br>SAK-XC164CS-32R20F | -40 °C to<br>125 °C | 256 Kbytes<br>ROM   | 2 Kbytes DPRAM,<br>4 Kbytes DSRAM,<br>6 Kbytes PSRAM | ASC0, ASC1,<br>SSC0, SSC1,<br>CAN0, CAN1,<br>CC6 |
| SAF-XC164CS-32R40F<br>SAF-XC164CS-32R20F | -40 °C to<br>85 °C  |                     |  |  |

1) This Data Sheet is valid for devices starting with and including design step BA.

2) The Flash speed grading indicates the access time to the on-chip Flash module. According to this access time Flash waitstates must be selected (bitfield WSFLASH in register IMBCTRL) according to the intended operating frequency. For more details, please refer to [Section 4.4.2](#).

Grade A devices are identified by "Grade A" in the fourth line of the chip marking.

**SKYTECH**

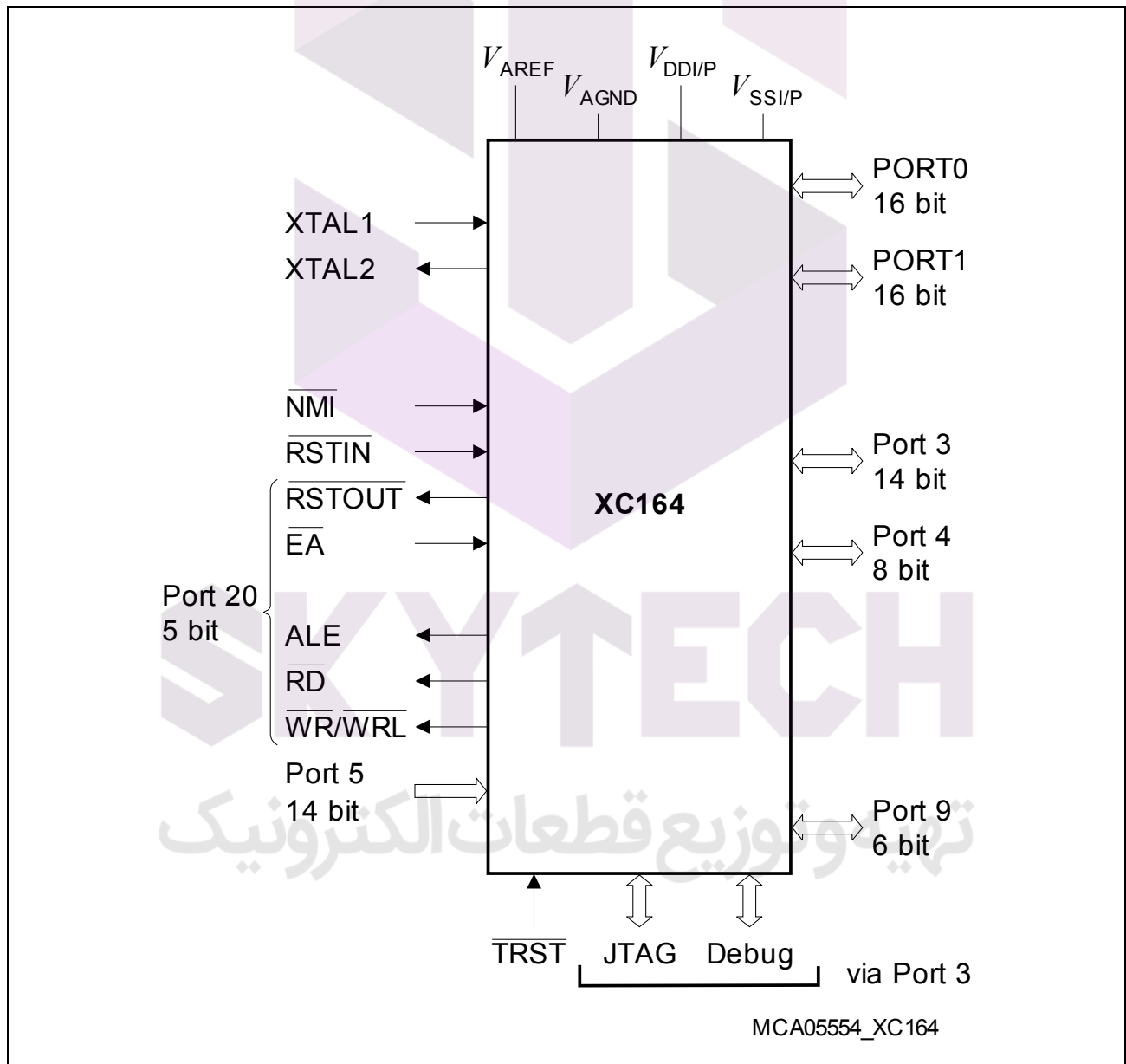
تهیه و توزیع قطعات الکترونیک



## 2 General Device Information

### 2.1 Introduction

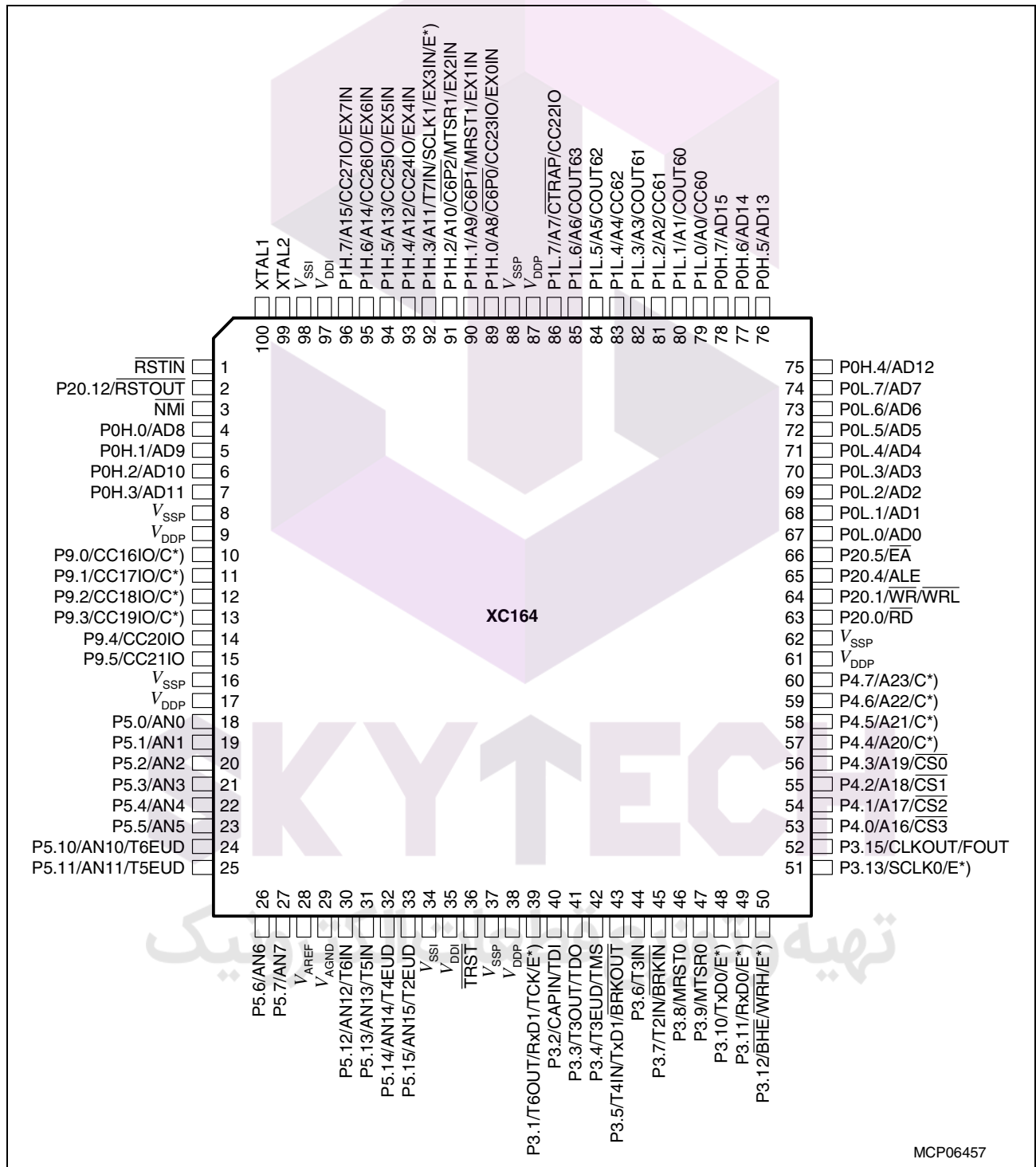
The XC164CS derivatives are high-performance members of the Infineon XC166 Family of full featured single-chip CMOS microcontrollers. These devices extend the functionality and performance of the C166 Family in terms of instructions (MAC unit), peripherals, and speed. They combine high CPU performance (up to 40 million instructions per second) with high peripheral functionality and enhanced IO-capabilities. They also provide clock generation via PLL and various on-chip memory modules such as program Flash, program RAM, and data RAM.



**Figure 1 Logic Symbol**

## 2.2 Pin Configuration and Definition

The pins of the XC164CS are described in detail in [Table 2](#), including all their alternate functions. [Figure 2](#) summarizes all pins in a condensed way, showing their location on the 4 sides of the package. E\*) and C\*) mark pins to be used as alternate external interrupt inputs, C\*) marks pins that can have CAN interface lines assigned to them.



**Figure 2 Pin Configuration (top view)**

**Table 2 Pin Definitions and Functions**

| Symbol                    | Pin Num. | Input<br>Outp. | Function   |
|---------------------------|----------|----------------|--|
| $\overline{\text{RSTIN}}$ | 1        | I              | Reset Input with Schmitt-Trigger characteristics. A low level at this pin while the oscillator is running resets the XC164CS. A spike filter suppresses input pulses < 10 ns. Input pulses > 100 ns safely pass the filter. The minimum duration for a safe recognition should be 100 ns + 2 CPU clock cycles.<br><i>Note: The reset duration must be sufficient to let the hardware configuration signals settle.</i><br><i>External circuitry must guarantee low level at the <math>\overline{\text{RSTIN}}</math> pin at least until both power supply voltages have reached the operating range.</i> |
| P20.12                    | 2        | IO             | For details, please refer to the description of <b>P20</b> .   |
| $\overline{\text{NMI}}$   | 3        | I              | Non-Maskable Interrupt Input. A high to low transition at this pin causes the CPU to vector to the NMI trap routine. When the PWRDN (power down) instruction is executed, the $\overline{\text{NMI}}$ pin must be low in order to force the XC164CS into power down mode. If $\overline{\text{NMI}}$ is high, when PWRDN is executed, the part will continue to run in normal mode.<br>If not used, pin $\overline{\text{NMI}}$ should be pulled high externally.  |
| P0H.0 -<br>P0H.3          | 4 ... 7  | IO             | For details, please refer to the description of <b>PORT0</b> .   |

SKYTECH

تهیه و توزیع قطعات الکترونیک

**General Device Information**
**Table 2 Pin Definitions and Functions (cont'd)**

| Symbol    | Pin Num. | Input Outp. | Function   |
|-----------|----------|-------------|--|
| <b>P9</b> |          | IO          | Port 9 is a 6-bit bidirectional I/O port. Each pin can be programmed for input (output driver in high-impedance state) or output (configurable as push/pull or open drain driver). The input threshold of Port 9 is selectable (standard or special).<br>The following Port 9 pins also serve for alternate functions: <sup>1)</sup> |
| P9.0      | 10       | I/O<br>I    | CC16IO CAPCOM2: CC16 Capture Inp./Compare Outp.,<br>CAN1_RxD CAN Node B Receive Data Input,<br>EX7IN Fast External Interrupt 7 Input (alternate pin B)   |
| P9.1      | 11       | I/O<br>O    | CC17IO CAPCOM2: CC17 Capture Inp./Compare Outp.,<br>CAN1_TxD CAN Node B Transmit Data Output,<br>EX6IN Fast External Interrupt 6 Input (alternate pin B)   |
| P9.2      | 12       | I/O<br>I    | CC18IO CAPCOM2: CC18 Capture Inp./Compare Outp.,<br>CAN0_RxD CAN Node A Receive Data Input,<br>EX7IN Fast External Interrupt 7 Input (alternate pin A)   |
| P9.3      | 13       | I/O<br>O    | CC19IO CAPCOM2: CC19 Capture Inp./Compare Outp.,<br>CAN0_TxD CAN Node A Transmit Data Output,<br>EX6IN Fast External Interrupt 6 Input (alternate pin A)   |
| P9.4      | 14       | I/O         | CC20IO CAPCOM2: CC20 Capture Inp./Compare Outp.  |
| P9.5      | 15       | I/O         | CC21IO CAPCOM2: CC21 Capture Inp./Compare Outp.  |
| <b>P5</b> |          | I           | Port 5 is a 14-bit input-only port.<br>The pins of Port 5 also serve as analog input channels for the A/D converter, or they serve as timer inputs:  |
| P5.0      | 18       | I           | AN0  |
| P5.1      | 19       | I           | AN1  |
| P5.2      | 20       | I           | AN2  |
| P5.3      | 21       | I           | AN3  |
| P5.4      | 22       | I           | AN4  |
| P5.5      | 23       | I           | AN5  |
| P5.10     | 24       | I           | AN10, T6EUD GPT2 Timer T6 Ext. Up/Down Ctrl. Inp.  |
| P5.11     | 25       | I           | AN11, T5EUD GPT2 Timer T5 Ext. Up/Down Ctrl. Inp.  |
| P5.6      | 26       | I           | AN6  |
| P5.7      | 27       | I           | AN7  |
| P5.12     | 30       | I           | AN12, T6IN GPT2 Timer T6 Count/Gate Input  |
| P5.13     | 31       | I           | AN13, T5IN GPT2 Timer T5 Count/Gate Input  |
| P5.14     | 32       | I           | AN14, T4EUD GPT1 Timer T4 Ext. Up/Down Ctrl. Inp.  |
| P5.15     | 33       | I           | AN15, T2EUD GPT1 Timer T2 Ext. Up/Down Ctrl. Inp.  |

**General Device Information**
**Table 2 Pin Definitions and Functions (cont'd)**

| <b>Sym-<br/>bol</b>      | <b>Pin<br/>Num.</b> | <b>Input<br/>Outp.</b> | <b>Function</b>   |
|--------------------------|---------------------|------------------------|---|
| $\overline{\text{TRST}}$ | 36                  | I                      | Test-System Reset Input. A high level at this pin activates the XC164CS's debug system. For normal system operation, pin $\overline{\text{TRST}}$ should be held low.   |
| <b>P3</b>                |                     | IO                     | Port 3 is a 14-bit bidirectional I/O port. Each pin can be programmed for input (output driver in high-impedance state) or output (configurable as push/pull or open drain driver). The input threshold of Port 3 is selectable (standard or special).<br>The following Port 3 pins also serve for alternate functions: |
| P3.1                     | 39                  | O<br>I/O<br>I<br>I     | T6OUT GPT2 Timer T6 Toggle Latch Output,<br>RxD1 ASC1 Data Input (Async.) or Inp./Outp. (Sync.),<br>EX1IN Fast External Interrupt 1 Input (alternate pin A),<br>TCK Debug System: JTAG Clock Input  |
| P3.2                     | 40                  | I<br>I                 | CAPIN GPT2 Register CAPREL Capture Input,<br>TDI Debug System: JTAG Data In   |
| P3.3                     | 41                  | O<br>O                 | T3OUT GPT1 Timer T3 Toggle Latch Output,<br>TDO Debug System: JTAG Data Out   |
| P3.4                     | 42                  | I<br>I                 | T3EUD GPT1 Timer T3 External Up/Down Control Input,<br>TMS Debug System: JTAG Test Mode Selection   |
| P3.5                     | 43                  | I<br>O<br>O            | T4IN GPT1 Timer T4 Count/Gate/Reload/Capture In.,<br>$\overline{\text{TxD1}}$ ASC0 Clock/Data Output (Async./Sync.),<br>$\overline{\text{BRKOUT}}$ Debug System: Break Out  |
| P3.6                     | 44                  | I                      | T3IN GPT1 Timer T3 Count/Gate Input   |
| P3.7                     | 45                  | I<br>I                 | T2IN GPT1 Timer T2 Count/Gate/Reload/Capture In.,<br>$\overline{\text{BRKIN}}$ Debug System: Break In   |
| P3.8                     | 46                  | I/O                    | MRST0 SSC0 Master-Receive/Slave-Transmit In/Out.  |
| P3.9                     | 47                  | I/O                    | MSTR0 SSC0 Master-Transmit/Slave-Receive Out/In.  |
| P3.10                    | 48                  | O<br>I                 | TxD0 ASC0 Clock/Data Output (Async./Sync.),<br>EX2IN Fast External Interrupt 2 Input (alternate pin B)  |
| P3.11                    | 49                  | I/O<br>I               | RxD0 ASC0 Data Input (Async.) or Inp./Outp. (Sync.),<br>EX2IN Fast External Interrupt 2 Input (alternate pin A)   |
| P3.12                    | 50                  | O<br>O<br>I            | $\overline{\text{BHE}}$ External Memory High Byte Enable Signal,<br>$\overline{\text{WRH}}$ External Memory High Byte Write Strobe,<br>EX3IN Fast External Interrupt 3 Input (alternate pin B)  |
| P3.13                    | 51                  | I/O<br>I               | SCLK0 SSC0 Master Clock Output / Slave Clock Input,<br>EX3IN Fast External Interrupt 3 Input (alternate pin A)  |
| P3.15                    | 52                  | O<br>O                 | CLKOUT System Clock Output (= CPU Clock),<br>FOUT Programmable Frequency Output   |

**Table 2 Pin Definitions and Functions (cont'd)**

| <b>Sym-<br/>bol</b> | <b>Pin<br/>Num.</b> | <b>Input<br/>Outp.</b> | <b>Function</b>   |
|---------------------|---------------------|------------------------|---|
| <b>P4</b>           |                     | IO                     | Port 4 is an 8-bit bidirectional I/O port. Each pin can be programmed for input (output driver in high-impedance state) or output (configurable as push/pull or open drain driver). The input threshold of Port 4 is selectable (standard or special).<br>Port 4 can be used to output the segment address lines, the optional chip select lines, and for serial interface lines: <sup>1)</sup> |
| P4.0                | 53                  | O                      | <u>A16</u> Least Significant Segment Address Line,  |
|                     |                     | O                      | <u>CS3</u> Chip Select 3 Output   |
| P4.1                | 54                  | O                      | <u>A17</u> Segment Address Line,  |
|                     |                     | O                      | <u>CS2</u> Chip Select 2 Output   |
| P4.2                | 55                  | O                      | <u>A18</u> Segment Address Line,  |
|                     |                     | O                      | <u>CS1</u> Chip Select 1 Output   |
| P4.3                | 56                  | O                      | <u>A19</u> Segment Address Line,  |
|                     |                     | O                      | <u>CS0</u> Chip Select 0 Output   |
| P4.4                | 57                  | O                      | A20 Segment Address Line,   |
|                     |                     | I                      | CAN1_RxD CAN Node B Receive Data Input,   |
|                     |                     | I                      | EX5IN Fast External Interrupt 5 Input (alternate pin B)   |
| P4.5                | 58                  | O                      | A21 Segment Address Line,   |
|                     |                     | I                      | CAN0_RxD CAN Node A Receive Data Input,   |
|                     |                     | I                      | EX4IN Fast External Interrupt 4 Input (alternate pin B)   |
| P4.6                | 59                  | O                      | A22 Segment Address Line,   |
|                     |                     | O                      | CAN0_TxD CAN Node A Transmit Data Output,   |
|                     |                     | I                      | EX5IN Fast External Interrupt 5 Input (alternate pin A)   |
| P4.7                | 60                  | O                      | A23 Most Significant Segment Address Line,  |
|                     |                     | I                      | CAN0_RxD CAN Node A Receive Data Input,   |
|                     |                     | O                      | CAN1_TxD CAN Node B Transmit Data Output,   |
|                     |                     | I                      | EX4IN Fast External Interrupt 4 Input (alternate pin A)   |

تهیه و توزیع قطعات الکترونیک



General Device Information

Table 2 Pin Definitions and Functions (cont'd)

| Sym-<br>bol  | Pin<br>Num. | Input<br>Outp. | Function   |
|--|-------------|----------------|--|
| P20  |             | IO             | Port 20 is a 5-bit bidirectional I/O port. Each pin can be programmed for input (output driver in high-impedance state) or output. The input threshold of Port 20 is selectable (standard or special).   |
|  |             |                | The following Port 20 pins also serve for alternate functions:   |
| P20.0  | 63          | O              | $\overline{RD}$ External Memory Read Strobe, activated for every external instruction or data read access.   |
| P20.1  | 64          | O              | $\overline{WR/WRL}$ External Memory Write Strobe.<br>In $\overline{WR}$ -mode this pin is activated for every external data write access.<br>In $\overline{WRL}$ -mode this pin is activated for low byte data write accesses on a 16-bit bus, and for every data write access on an 8-bit bus.  |
| P20.4  | 65          | O              | ALE Address Latch Enable Output.<br>Can be used for latching the address into external memory or an address latch in the multiplexed bus modes.  |
| P20.5  | 66          | I              | $\overline{EA}$ External Access Enable pin.<br><b>A low level</b> at this pin during and after Reset forces the XC164CS to latch the configuration from PORT0 and pin $\overline{RD}$ , and to begin instruction execution out of external memory.<br><b>A high level</b> forces the XC164CS to latch the configuration from pins $\overline{RD}$ , ALE, and $\overline{WR}$ , and to begin instruction execution out of the internal program memory. "ROMless" versions must have this pin tied to '0'. |
| P20.12   | 2           | O              | $\overline{RSTOUT}$ Internal Reset Indication Output.<br><b>Is activated</b> asynchronously with an external hardware reset. It may also be activated (selectable) synchronously with an internal software or watchdog reset.<br><b>Is deactivated</b> upon the execution of the EINIT instruction, optionally at the end of reset, or at any time (before EINIT) via user software.   |
| <i>Note: Port 20 pins may input configuration values (see <math>\overline{EA}</math>).</i> |             |                |  |



Table 2 Pin Definitions and Functions (cont'd)

| Sym-<br>bol  | Pin<br>Num.  | Input<br>Outp.                             | Function  |
|--------------|--|--|---|
| <b>PORT0</b> |  | IO   | <p>PORT0 consists of the two 8-bit bidirectional I/O ports P0L and P0H. Each pin can be programmed for input (output driver in high-impedance state) or output.</p> <p>In case of an external bus configuration, PORT0 serves as the address (A) and address/data (AD) bus in multiplexed bus modes and as the data (D) bus in demultiplexed bus modes.</p> <p><b>Demultiplexed bus modes:</b><br/>8-bit data bus: P0H = I/O, P0L = D7 - D0<br/>16-bit data bus: P0H = D15 - D8, P0L = D7 - D0</p> <p><b>Multiplexed bus modes:</b><br/>8-bit data bus: P0H = A15 - A8, P0L = AD7 - AD0<br/>16-bit data bus: P0H = AD15 - AD8, P0L = AD7 - AD0</p> <p><i>Note: At the end of an external reset (<math>\overline{EA} = 0</math>) PORT0 also may input configuration values</i></p> |
|              | P0L.0 - 67 - 74<br>P0L.7<br>P0H.0 - 4 - 7<br>P0H.3<br>P0H.4 - 75 - 78<br>P0H.7               |  |   |
| <b>PORT1</b> |  | IO   | <p>PORT1 consists of the two 8-bit bidirectional I/O ports P1L and P1H. Each pin can be programmed for input (output driver in high-impedance state) or output.</p> <p>PORT1 is used as the 16-bit address bus (A) in demultiplexed bus modes (also after switching from a demultiplexed to a multiplexed bus mode).</p> <p>The following PORT1 pins also serve for alt. functions:</p>   |
|              | P1L.0 79<br>P1L.1 80<br>P1L.2 81<br>P1L.3 82<br>P1L.4 83<br>P1L.5 84<br>P1L.6 85<br>P1L.7 86 | I/O<br>O<br>I/O<br>O<br>I/O<br>O<br>O<br>I | <p>CC60 CAPCOM6: Input / Output of Channel 0</p> <p>COU60 CAPCOM6: Output of Channel 0</p> <p>CC61 CAPCOM6: Input / Output of Channel 1</p> <p>COU61 CAPCOM6: Output of Channel 1</p> <p>CC62 CAPCOM6: Input / Output of Channel 2</p> <p>COU62 CAPCOM6: Output of Channel 2</p> <p>COU63 Output of 10-bit Compare Channel</p> <p><u>CTRAP</u> CAPCOM6: Trap Input</p> <p>CTRAP is an input pin with an internal pull-up resistor. A low level on this pin switches the CAPCOM6 compare outputs to the logic level defined by software (if enabled).</p>  |
| P1H          | ...  | I/O  | <p>CC22IO CAPCOM2: CC22 Capture Inp./Compare Outp.<br/>...continued...</p>  |

**General Device Information**
**Table 2 Pin Definitions and Functions (cont'd)**

| Sym-<br>bol                  | Pin<br>Num. | Input<br>Outp. | Function  |
|------------------------------|-------------|----------------|---|
| <b>PORT1</b><br>(cont'd)     |             | IO             | ...continued...   |
| P1H.0                        | 89          | I              | <u>CC6POS0</u> CAPCOM6: Position 0 Input,<br>EX0IN Fast External Interrupt 0 Input (default pin),   |
| P1H.1                        | 90          | I/O            | <u>CC23IO</u> CAPCOM2: CC23 Capture Inp./Compare Outp.  |
|                              |             | I              | <u>CC6POS1</u> CAPCOM6: Position 1 Input,<br>EX1IN Fast External Interrupt 1 Input (default pin),   |
| P1H.2                        | 91          | I/O            | <u>MRST1</u> SSC1 Master-Receive/Slave-Transmit In/Out.   |
|                              |             | I              | <u>CC6POS2</u> CAPCOM6: Position 2 Input,<br>EX2IN Fast External Interrupt 2 Input (default pin),   |
| P1H.3                        | 92          | I/O            | <u>MTSR1</u> SSC1 Master-Transmit/Slave-Receive Out/Inp.  |
|                              |             | I              | T7IN CAPCOM2: Timer T7 Count Input,<br>SCLK1 SSC1 Master Clock Output / Slave Clock Input,  |
| P1H.4                        | 93          | I              | EX3IN Fast External Interrupt 3 Input (default pin),<br>EX0IN Fast External Interrupt 0 Input (alternate pin A)   |
|                              |             | I/O            | <u>CC24IO</u> CAPCOM2: CC24 Capture Inp./Compare Outp.,<br>EX4IN Fast External Interrupt 4 Input (default pin)  |
| P1H.5                        | 94          | I/O            | <u>CC25IO</u> CAPCOM2: CC25 Capture Inp./Compare Outp.,<br>EX5IN Fast External Interrupt 5 Input (default pin)  |
|                              |             | I              | <u>CC26IO</u> CAPCOM2: CC26 Capture Inp./Compare Outp.,<br>EX6IN Fast External Interrupt 6 Input (default pin)  |
| P1H.6                        | 95          | I/O            | <u>CC27IO</u> CAPCOM2: CC27 Capture Inp./Compare Outp.,<br>EX7IN Fast External Interrupt 7 Input (default pin)  |
|                              |             | I              |   |
| <u>XTAL2</u><br><u>XTAL1</u> | 99          | O              | XTAL2: Output of the oscillator amplifier circuit   |
|                              | 100         | I              | XTAL1: Input to the oscillator amplifier and input to the internal clock generator<br><br>To clock the device from an external source, drive XTAL1, while leaving XTAL2 unconnected. Minimum and maximum high/low and rise/fall times specified in the AC. Characteristics must be observed.<br><br><i>Note: Input pin XTAL1 belongs to the core voltage domain. Therefore, input voltages must be within the range defined for <math>V_{DDI}</math>.</i> |
| $V_{AREF}$                   | 28          | –              | Reference voltage for the A/D converter.  |
| $V_{AGND}$                   | 29          | –              | Reference ground for the A/D converter.   |

**Table 2 Pin Definitions and Functions (cont'd)**

| Symbol    | Pin Num.                | Input<br>Outp. | Function   |
|-----------|-------------------------|----------------|--|
| $V_{DDI}$ | 35, 97                  | –              | Digital Core Supply Voltage (On-Chip Modules):<br>+2.5 V during normal operation and idle mode.<br>Please refer to the <a href="#">Operating Condition Parameters</a> .          |
| $V_{DDP}$ | 9, 17,<br>38, 61,<br>87 | –              | Digital Pad Supply Voltage (Pin Output Drivers):<br>+5 V during normal operation and idle mode.<br>Please refer to the <a href="#">Operating Condition Parameters</a> .          |
| $V_{SSI}$ | 34, 98                  | –              | <b>Digital Ground</b>  |
| $V_{SSP}$ | 8, 16,<br>37, 62,<br>88 | –              | Connect decoupling capacitors to adjacent $V_{DD}/V_{SS}$ pin pairs as close as possible to the pins.<br>All $V_{SS}$ pins must be connected to the ground-line or ground-plane. |

1) The CAN interface lines are assigned to ports P4 and P9 under software control.

SKYTECH

تهیه و توزیع قطعات الکترونیک

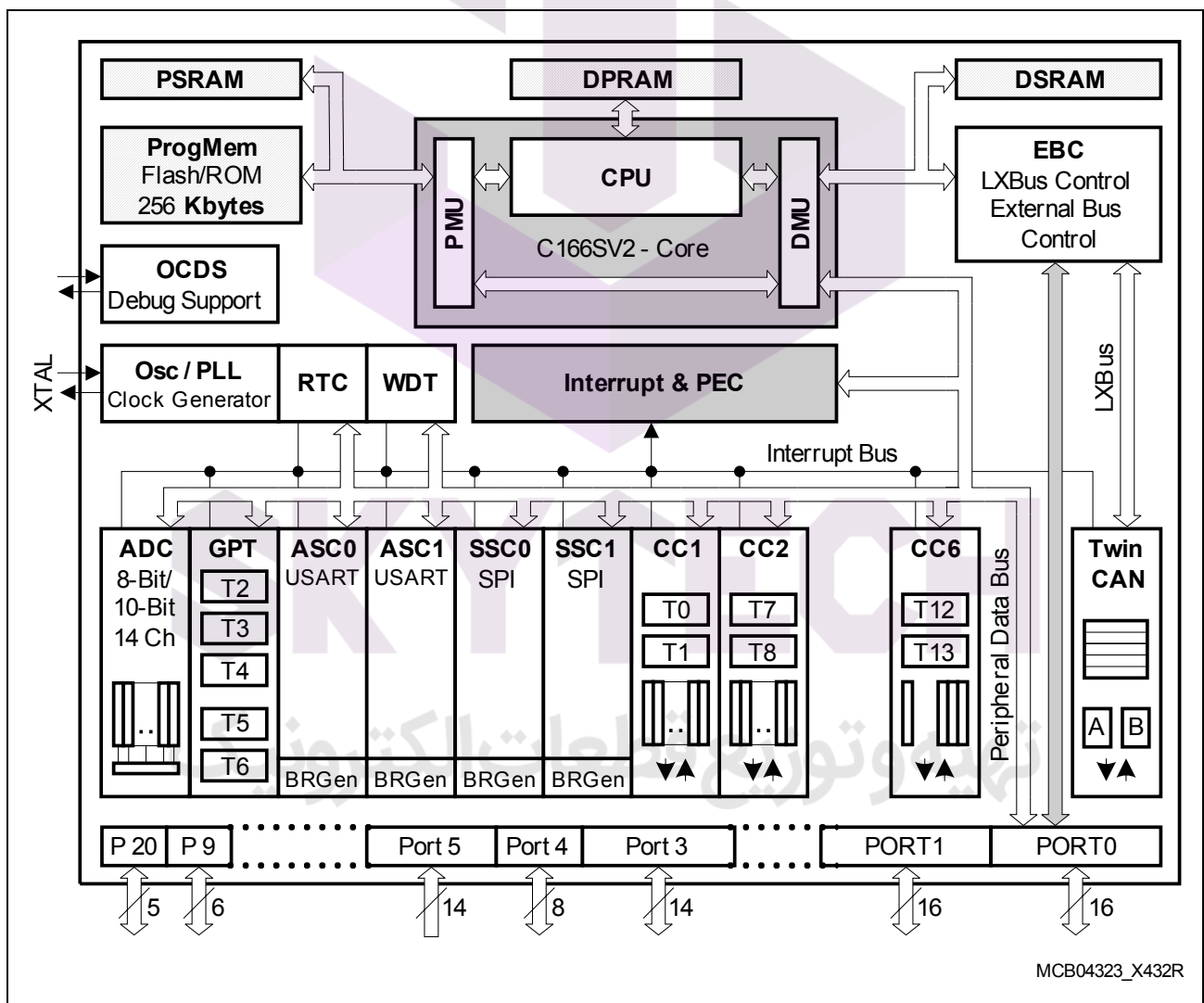
### 3 Functional Description

The architecture of the XC164CS combines advantages of RISC, CISC, and DSP processors with an advanced peripheral subsystem in a very well-balanced way. In addition, the on-chip memory blocks allow the design of compact systems-on-silicon with maximum performance (computing, control, communication).

The on-chip memory blocks (program code-memory and SRAM, dual-port RAM, data SRAM) and the set of generic peripherals are connected to the CPU via separate buses. Another bus, the LXBus, connects additional on-chip resources as well as external resources (see [Figure 3](#)).

This bus structure enhances the overall system performance by enabling the concurrent operation of several subsystems of the XC164CS.

The following block diagram gives an overview of the different on-chip components and of the advanced, high bandwidth internal bus structure of the XC164CS.



**Figure 3 Block Diagram**

### 3.1 Memory Subsystem and Organization

The memory space of the XC164CS is configured in a Von Neumann architecture, which means that all internal and external resources, such as code memory, data memory, registers and I/O ports, are organized within the same linear address space. This common memory space includes 16 Mbytes and is arranged as 256 segments of 64 Kbytes each, where each segment consists of four data pages of 16 Kbytes each. The entire memory space can be accessed byte-wise or word-wise. Portions of the on-chip DPRAM and the register spaces (E/SFR) have additionally been made directly bit-addressable.

The internal data memory areas and the Special Function Register areas (SFR and ESFR) are mapped into segment 0, the system segment.

The Program Management Unit (PMU) handles all code fetches and, therefore, controls accesses to the program memories, such as Flash memory and PSRAM.

The Data Management Unit (DMU) handles all data transfers and, therefore, controls accesses to the DSRAM and the on-chip peripherals.

Both units (PMU and DMU) are connected via the high-speed system bus to exchange data. This is required if operands are read from program memory, code or data is written to the PSRAM, code is fetched from external memory, or data is read from or written to external resources, including peripherals on the LXBus (such as TwinCAN). The system bus allows concurrent two-way communication for maximum transfer performance.

**256 Kbytes of on-chip Flash memory** store code or constant data. The on-chip Flash memory is organized as four 8-Kbyte sectors, one 32-Kbyte sector, and three 64-Kbyte sectors. Each sector can be separately write protected<sup>1)</sup>, erased and programmed (in blocks of 128 bytes). The complete Flash area can be read-protected. A password sequence temporarily unlocks protected areas. The Flash module combines very fast 64-bit one-cycle read accesses with protected and efficient writing algorithms for programming and erasing. Thus, program execution out of the internal Flash results in maximum performance. Dynamic error correction provides extremely high read data security for all read accesses.

For timing characteristics, please refer to [Section 4.4.2](#).

**6 Kbytes of on-chip Program SRAM (PSRAM)** are provided to store user code or data. The PSRAM is accessed via the PMU and is therefore optimized for code fetches.

**4 Kbytes of on-chip Data SRAM (DSRAM)** are provided as a storage for general user data. The DSRAM is accessed via the DMU and is therefore optimized for data accesses.

**2 Kbytes of on-chip Dual-Port RAM (DPRAM)** are provided as a storage for user defined variables, for the system stack, and general purpose register banks. A register bank can consist of up to 16 word-wide (R0 to R15) and/or byte-wide (RL0, RH0, ..., RL7,

1) Each two 8-Kbyte sectors are combined for write-protection purposes.

**Functional Description**

RH7) so-called General Purpose Registers (GPRs).

The upper 256 bytes of the DPRAM are directly bitaddressable. When used by a GPR, any location in the DPRAM is bitaddressable.

**1024 bytes (2 × 512 bytes)** of the address space are reserved for the Special Function Register areas (SFR space and ESFR space). SFRs are worldwide registers which are used for controlling and monitoring functions of the different on-chip units. Unused SFR addresses are reserved for future members of the XC166 Family. Therefore, they should either not be accessed, or written with zeros, to ensure upward compatibility.

In order to meet the needs of designs where more memory is required than is provided on chip, up to 12 Mbytes (approximately, see [Table 3](#)) of external RAM and/or ROM can be connected to the microcontroller. The External Bus Interface also provides access to external peripherals.

**Table 3 XC164CS Memory Map<sup>1)</sup>**

| Address Area                     | Start Loc.           | End Loc.             | Area Size <sup>2)</sup> | Notes                        |
|----------------------------------|----------------------|----------------------|-------------------------|------------------------------|
| Flash register space             | FF'F000 <sub>H</sub> | FF'FFFF <sub>H</sub> | 4 Kbytes                | <sup>3)</sup>                |
| Reserved (Acc. trap)             | FE'0000 <sub>H</sub> | FF'EFFF <sub>H</sub> | 60 Kbytes               | –                            |
| Reserved for EPSRAM              | F8'1800 <sub>H</sub> | FD'FFFF <sub>H</sub> | 378 Kbytes              | –                            |
| Emul. Program SRAM <sup>4)</sup> | F8'0000 <sub>H</sub> | F8'17FF <sub>H</sub> | 6 Kbytes                | 2 <sup>nd</sup> way to PSRAM |
| Reserved for PSRAM               | E0'1800 <sub>H</sub> | F7'FFFF <sub>H</sub> | < 1.5 Mbytes            | Minus PSRAM                  |
| Program SRAM                     | E0'0000 <sub>H</sub> | E0'17FF <sub>H</sub> | 6 Kbytes                | Maximum                      |
| Reserved for program memory      | C4'0000 <sub>H</sub> | DF'FFFF <sub>H</sub> | < 2 Mbytes              | Minus Flash                  |
| Program Flash/ROM                | C0'0000 <sub>H</sub> | C3'FFFF <sub>H</sub> | 256 Kbytes              | –                            |
| Reserved                         | BF'0000 <sub>H</sub> | BF'FFFF <sub>H</sub> | 64 Kbytes               | –                            |
| External memory area             | 40'0000 <sub>H</sub> | BE'FFFF <sub>H</sub> | < 8 Mbytes              | Minus reserved segment       |
| External IO area <sup>5)</sup>   | 20'0800 <sub>H</sub> | 3F'FFFF <sub>H</sub> | < 2 Mbytes              | Minus TwinCAN                |
| TwinCAN registers                | 20'0000 <sub>H</sub> | 20'07FF <sub>H</sub> | 2 Kbytes                | –                            |
| External memory area             | 01'0000 <sub>H</sub> | 1F'FFFF <sub>H</sub> | < 2 Mbytes              | Minus segment 0              |
| Data RAMs and SFRs               | 00'8000 <sub>H</sub> | 00'FFFF <sub>H</sub> | 32 Kbytes               | Partly used                  |
| External memory area             | 00'0000 <sub>H</sub> | 00'7FFF <sub>H</sub> | 32 Kbytes               | –                            |

1) Accesses to the shaded areas generate external bus accesses.

2) The areas marked with “<” are slightly smaller than indicated, see column “Notes”.

3) Not defined register locations return a trap code.

4) The Emulation PSRAM (EPSRAM) realizes a 2<sup>nd</sup> access path to the PSRAM with a different timing.



**Functional Description**

- 5) Several pipeline optimizations are not active within the external IO area. This is necessary to control external peripherals properly.

### 3.2 External Bus Controller

All of the external memory accesses are performed by a particular on-chip External Bus Controller (EBC). It can be programmed either to Single Chip Mode when no external memory is required, or to one of four different external memory access modes<sup>1)</sup>, which are as follows:

- 16 ... 24-bit Addresses, 16-bit Data, Demultiplexed
- 16 ... 24-bit Addresses, 16-bit Data, Multiplexed
- 16 ... 24-bit Addresses, 8-bit Data, Multiplexed
- 16 ... 24-bit Addresses, 8-bit Data, Demultiplexed

In the demultiplexed bus modes, addresses are output on PORT1 and data is input/output on PORT0 or P0L, respectively. In the multiplexed bus modes both addresses and data use PORT0 for input/output. The high order address (segment) lines use Port 4. The number of active segment address lines is selectable, restricting the external address space to 8 Mbytes ... 64 Kbytes. This is required when interface lines are assigned to Port 4.

Up to 4 external  $\overline{CS}$  signals (3 windows plus default) can be generated in order to save external glue logic. External modules can directly be connected to the common address/data bus and their individual select lines.

Important timing characteristics of the external bus interface have been made programmable (via registers TCONCSx/FCONCSx) to allow the user the adaption of a wide range of different types of memories and external peripherals.

In addition, up to 4 independent address windows may be defined (via registers ADDRSELx) which control the access to different resources with different bus characteristics. These address windows are arranged hierarchically where window 4 overrides window 3, and window 2 overrides window 1. All accesses to locations not covered by these 4 address windows are controlled by TCONCS0/FCONCS0. The currently active window can generate a chip select signal.

*Note: The chip select signal of address window 4 is not available on a pin.*

The external bus timing is related to the rising edge of the reference clock output CLKOUT. The external bus protocol is compatible with that of the standard C166 Family.

The EBC also controls accesses to resources connected to the on-chip LXBus. The LXBus is an internal representation of the external bus and allows accessing integrated peripherals and modules in the same way as external components.

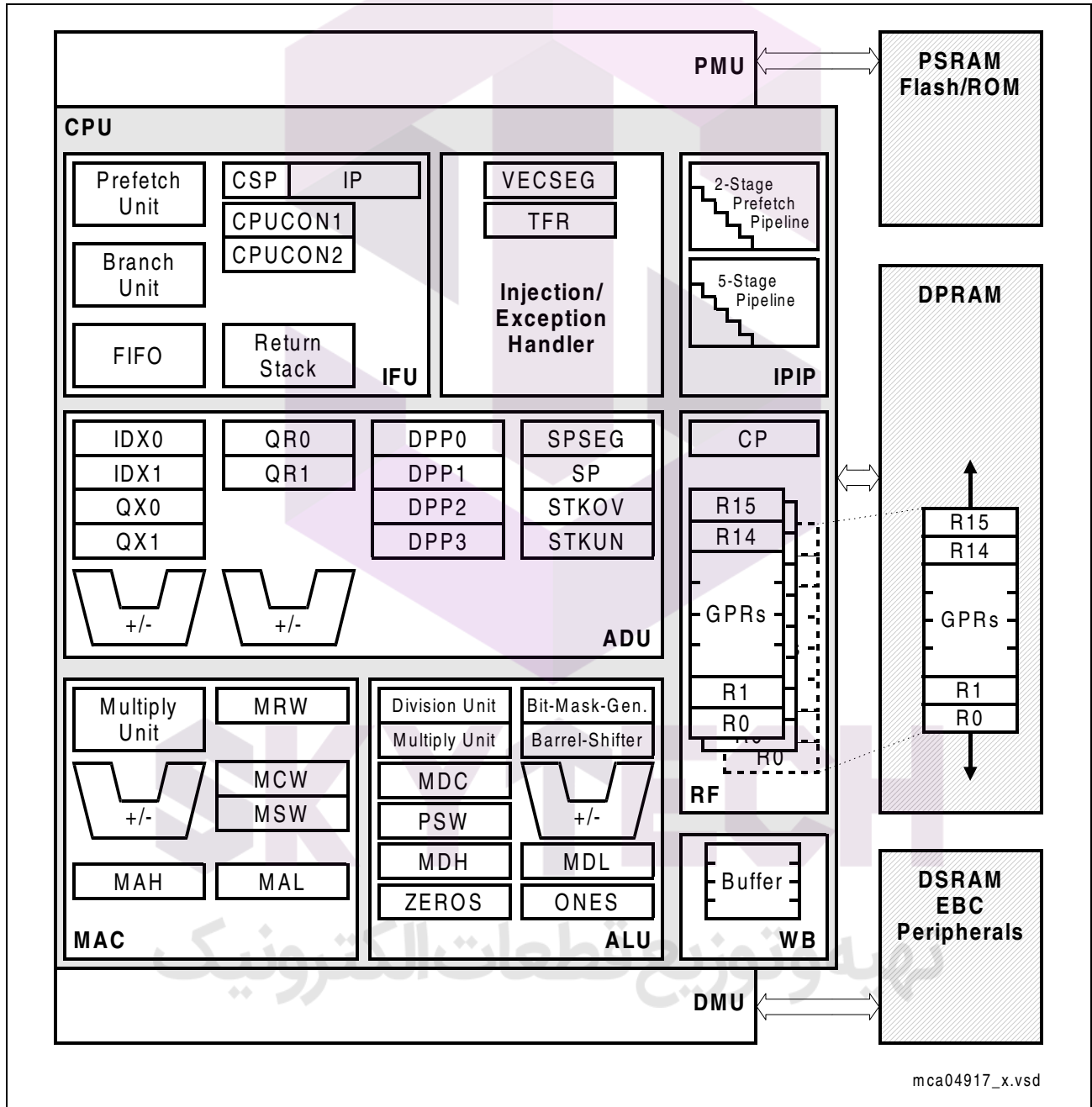
The TwinCAN module is connected and accessed via the LXBus.

<sup>1)</sup> Bus modes are switched dynamically if several address windows with different mode settings are used.



### 3.3 Central Processing Unit (CPU)

The main core of the CPU consists of a 5-stage execution pipeline with a 2-stage instruction-fetch pipeline, a 16-bit arithmetic and logic unit (ALU), a 32-bit/40-bit multiply and accumulate unit (MAC), a register-file providing three register banks, and dedicated SFRs. The ALU features a multiply and divide unit, a bit-mask generator, and a barrel shifter.



**Figure 4 CPU Block Diagram**

Based on these hardware provisions, most of the XC164CS's instructions can be executed in just one machine cycle which requires 25 ns at 40 MHz CPU clock. For

**Functional Description**

example, shift and rotate instructions are always processed during one machine cycle independent of the number of bits to be shifted. Also multiplication and most MAC instructions execute in one single cycle. All multiple-cycle instructions have been optimized so that they can be executed very fast as well: for example, a division algorithm is performed in 18 to 21 CPU cycles, depending on the data and division type. Four cycles are always visible, the rest runs in the background. Another pipeline optimization, the branch target prediction, allows eliminating the execution time of branch instructions if the prediction was correct.

The CPU has a register context consisting of up to three register banks with 16 wordwide GPRs each at its disposal. The global register bank is physically allocated within the on-chip DPRAM area. A Context Pointer (CP) register determines the base address of the active global register bank to be accessed by the CPU at any time. The number of register banks is only restricted by the available internal RAM space. For easy parameter passing, a register bank may overlap others.

A system stack of up to 32 Kwords is provided as a storage for temporary data. The system stack can be allocated to any location within the address space (preferably in the on-chip RAM area), and it is accessed by the CPU via the stack pointer (SP) register. Two separate SFRs, STKOV and STKUN, are implicitly compared against the stack pointer value upon each stack access for the detection of a stack overflow or underflow.

The high performance offered by the hardware implementation of the CPU can efficiently be utilized by a programmer via the highly efficient XC164CS instruction set which includes the following instruction classes:

- Standard Arithmetic Instructions
- DSP-Oriented Arithmetic Instructions
- Logical Instructions
- Boolean Bit Manipulation Instructions
- Compare and Loop Control Instructions
- Shift and Rotate Instructions
- Prioritize Instruction
- Data Movement Instructions
- System Stack Instructions
- Jump and Call Instructions
- Return Instructions
- System Control Instructions
- Miscellaneous Instructions

The basic instruction length is either 2 or 4 bytes. Possible operand types are bits, bytes and words. A variety of direct, indirect or immediate addressing modes are provided to specify the required operands.

### 3.4 Interrupt System

With an interrupt response time of typically 8 CPU clocks (in case of internal program execution), the XC164CS is capable of reacting very fast to the occurrence of non-deterministic events.

The architecture of the XC164CS supports several mechanisms for fast and flexible response to service requests that can be generated from various sources internal or external to the microcontroller. Any of these interrupt requests can be programmed to being serviced by the Interrupt Controller or by the Peripheral Event Controller (PEC).

In contrast to a standard interrupt service where the current program execution is suspended and a branch to the interrupt vector table is performed, just one cycle is 'stolen' from the current CPU activity to perform a PEC service. A PEC service implies a single byte or word data transfer between any two memory locations with an additional increment of either the PEC source, or the destination pointer, or both. An individual PEC transfer counter is implicitly decremented for each PEC service except when performing in the continuous transfer mode. When this counter reaches zero, a standard interrupt is performed to the corresponding source related vector location. PEC services are very well suited, for example, for supporting the transmission or reception of blocks of data. The XC164CS has 8 PEC channels each of which offers such fast interrupt-driven data transfer capabilities.

A separate control register which contains an interrupt request flag, an interrupt enable flag and an interrupt priority bitfield exists for each of the possible interrupt nodes. Via its related register, each node can be programmed to one of sixteen interrupt priority levels. Once having been accepted by the CPU, an interrupt service can only be interrupted by a higher prioritized service request. For the standard interrupt processing, each of the possible interrupt nodes has a dedicated vector location.

Fast external interrupt inputs are provided to service external interrupts with high precision requirements. These fast interrupt inputs feature programmable edge detection (rising edge, falling edge, or both edges).

Software interrupts are supported by means of the 'TRAP' instruction in combination with an individual trap (interrupt) number.

**Table 4** shows all of the possible XC164CS interrupt sources and the corresponding hardware-related interrupt flags, vectors, vector locations and trap (interrupt) numbers.

*Note: Interrupt nodes which are not assigned to peripherals (unassigned nodes), may be used to generate software controlled interrupt requests by setting the respective interrupt request bit (xIR).*

**Functional Description**
**Table 4 XC164CS Interrupt Nodes**

| Source of Interrupt or PEC Service Request | Control Register | Vector Location <sup>1)</sup> | Trap Number                       |
|--|------------------|-------------------------------|-----------------------------------|
| CAPCOM Register 0                          | CC1_CC0IC        | xx'0040 <sub>H</sub>          | 10 <sub>H</sub> / 16 <sub>D</sub> |
| CAPCOM Register 1                          | CC1_CC1IC        | xx'0044 <sub>H</sub>          | 11 <sub>H</sub> / 17 <sub>D</sub> |
| CAPCOM Register 2                          | CC1_CC2IC        | xx'0048 <sub>H</sub>          | 12 <sub>H</sub> / 18 <sub>D</sub> |
| CAPCOM Register 3                          | CC1_CC3IC        | xx'004C <sub>H</sub>          | 13 <sub>H</sub> / 19 <sub>D</sub> |
| CAPCOM Register 4                          | CC1_CC4IC        | xx'0050 <sub>H</sub>          | 14 <sub>H</sub> / 20 <sub>D</sub> |
| CAPCOM Register 5                          | CC1_CC5IC        | xx'0054 <sub>H</sub>          | 15 <sub>H</sub> / 21 <sub>D</sub> |
| CAPCOM Register 6                          | CC1_CC6IC        | xx'0058 <sub>H</sub>          | 16 <sub>H</sub> / 22 <sub>D</sub> |
| CAPCOM Register 7                          | CC1_CC7IC        | xx'005C <sub>H</sub>          | 17 <sub>H</sub> / 23 <sub>D</sub> |
| CAPCOM Register 8                          | CC1_CC8IC        | xx'0060 <sub>H</sub>          | 18 <sub>H</sub> / 24 <sub>D</sub> |
| CAPCOM Register 9                          | CC1_CC9IC        | xx'0064 <sub>H</sub>          | 19 <sub>H</sub> / 25 <sub>D</sub> |
| CAPCOM Register 10                         | CC1_CC10IC       | xx'0068 <sub>H</sub>          | 1A <sub>H</sub> / 26 <sub>D</sub> |
| CAPCOM Register 11                         | CC1_CC11IC       | xx'006C <sub>H</sub>          | 1B <sub>H</sub> / 27 <sub>D</sub> |
| CAPCOM Register 12                         | CC1_CC12IC       | xx'0070 <sub>H</sub>          | 1C <sub>H</sub> / 28 <sub>D</sub> |
| CAPCOM Register 13                         | CC1_CC13IC       | xx'0074 <sub>H</sub>          | 1D <sub>H</sub> / 29 <sub>D</sub> |
| CAPCOM Register 14                         | CC1_CC14IC       | xx'0078 <sub>H</sub>          | 1E <sub>H</sub> / 30 <sub>D</sub> |
| CAPCOM Register 15                         | CC1_CC15IC       | xx'007C <sub>H</sub>          | 1F <sub>H</sub> / 31 <sub>D</sub> |
| CAPCOM Register 16                         | CC2_CC16IC       | xx'00C0 <sub>H</sub>          | 30 <sub>H</sub> / 48 <sub>D</sub> |
| CAPCOM Register 17                         | CC2_CC17IC       | xx'00C4 <sub>H</sub>          | 31 <sub>H</sub> / 49 <sub>D</sub> |
| CAPCOM Register 18                         | CC2_CC18IC       | xx'00C8 <sub>H</sub>          | 32 <sub>H</sub> / 50 <sub>D</sub> |
| CAPCOM Register 19                         | CC2_CC19IC       | xx'00CC <sub>H</sub>          | 33 <sub>H</sub> / 51 <sub>D</sub> |
| CAPCOM Register 20                         | CC2_CC20IC       | xx'00D0 <sub>H</sub>          | 34 <sub>H</sub> / 52 <sub>D</sub> |
| CAPCOM Register 21                         | CC2_CC21IC       | xx'00D4 <sub>H</sub>          | 35 <sub>H</sub> / 53 <sub>D</sub> |
| CAPCOM Register 22                         | CC2_CC22IC       | xx'00D8 <sub>H</sub>          | 36 <sub>H</sub> / 54 <sub>D</sub> |
| CAPCOM Register 23                         | CC2_CC23IC       | xx'00DC <sub>H</sub>          | 37 <sub>H</sub> / 55 <sub>D</sub> |
| CAPCOM Register 24                         | CC2_CC24IC       | xx'00E0 <sub>H</sub>          | 38 <sub>H</sub> / 56 <sub>D</sub> |
| CAPCOM Register 25                         | CC2_CC25IC       | xx'00E4 <sub>H</sub>          | 39 <sub>H</sub> / 57 <sub>D</sub> |
| CAPCOM Register 26                         | CC2_CC26IC       | xx'00E8 <sub>H</sub>          | 3A <sub>H</sub> / 58 <sub>D</sub> |
| CAPCOM Register 27                         | CC2_CC27IC       | xx'00EC <sub>H</sub>          | 3B <sub>H</sub> / 59 <sub>D</sub> |
| CAPCOM Register 28                         | CC2_CC28IC       | xx'00F0 <sub>H</sub>          | 3C <sub>H</sub> / 60 <sub>D</sub> |

**Functional Description**
**Table 4 XC164CS Interrupt Nodes (cont'd)**

| Source of Interrupt or PEC Service Request | Control Register | Vector Location <sup>1)</sup> | Trap Number                       |
|--|------------------|-------------------------------|-----------------------------------|
| CAPCOM Register 29                         | CC2_CC29IC       | xx'0110 <sub>H</sub>          | 44 <sub>H</sub> / 68 <sub>D</sub> |
| CAPCOM Register 30                         | CC2_CC30IC       | xx'0114 <sub>H</sub>          | 45 <sub>H</sub> / 69 <sub>D</sub> |
| CAPCOM Register 31                         | CC2_CC31IC       | xx'0118 <sub>H</sub>          | 46 <sub>H</sub> / 70 <sub>D</sub> |
| CAPCOM Timer 0                             | CC1_T0IC         | xx'0080 <sub>H</sub>          | 20 <sub>H</sub> / 32 <sub>D</sub> |
| CAPCOM Timer 1                             | CC1_T1IC         | xx'0084 <sub>H</sub>          | 21 <sub>H</sub> / 33 <sub>D</sub> |
| CAPCOM Timer 7                             | CC2_T7IC         | xx'00F4 <sub>H</sub>          | 3D <sub>H</sub> / 61 <sub>D</sub> |
| CAPCOM Timer 8                             | CC2_T8IC         | xx'00F8 <sub>H</sub>          | 3E <sub>H</sub> / 62 <sub>D</sub> |
| GPT1 Timer 2                               | GPT12E_T2IC      | xx'0088 <sub>H</sub>          | 22 <sub>H</sub> / 34 <sub>D</sub> |
| GPT1 Timer 3                               | GPT12E_T3IC      | xx'008C <sub>H</sub>          | 23 <sub>H</sub> / 35 <sub>D</sub> |
| GPT1 Timer 4                               | GPT12E_T4IC      | xx'0090 <sub>H</sub>          | 24 <sub>H</sub> / 36 <sub>D</sub> |
| GPT2 Timer 5                               | GPT12E_T5IC      | xx'0094 <sub>H</sub>          | 25 <sub>H</sub> / 37 <sub>D</sub> |
| GPT2 Timer 6                               | GPT12E_T6IC      | xx'0098 <sub>H</sub>          | 26 <sub>H</sub> / 38 <sub>D</sub> |
| GPT2 CAPREL Register                       | GPT12E_CRIC      | xx'009C <sub>H</sub>          | 27 <sub>H</sub> / 39 <sub>D</sub> |
| A/D Conversion Complete                    | ADC_CIC          | xx'00A0 <sub>H</sub>          | 28 <sub>H</sub> / 40 <sub>D</sub> |
| A/D Overrun Error                          | ADC_EIC          | xx'00A4 <sub>H</sub>          | 29 <sub>H</sub> / 41 <sub>D</sub> |
| ASC0 Transmit                              | ASC0_TIC         | xx'00A8 <sub>H</sub>          | 2A <sub>H</sub> / 42 <sub>D</sub> |
| ASC0 Transmit Buffer                       | ASC0_TBIC        | xx'011C <sub>H</sub>          | 47 <sub>H</sub> / 71 <sub>D</sub> |
| ASC0 Receive                               | ASC0_RIC         | xx'00AC <sub>H</sub>          | 2B <sub>H</sub> / 43 <sub>D</sub> |
| ASC0 Error                                 | ASC0_EIC         | xx'00B0 <sub>H</sub>          | 2C <sub>H</sub> / 44 <sub>D</sub> |
| ASC0 Autobaud                              | ASC0_ABIC        | xx'017C <sub>H</sub>          | 5F <sub>H</sub> / 95 <sub>D</sub> |
| SSC0 Transmit                              | SSC0_TIC         | xx'00B4 <sub>H</sub>          | 2D <sub>H</sub> / 45 <sub>D</sub> |
| SSC0 Receive                               | SSC0_RIC         | xx'00B8 <sub>H</sub>          | 2E <sub>H</sub> / 46 <sub>D</sub> |
| SSC0 Error                                 | SSC0_EIC         | xx'00BC <sub>H</sub>          | 2F <sub>H</sub> / 47 <sub>D</sub> |
| PLL/OWD                                    | PLLIC            | xx'010C <sub>H</sub>          | 43 <sub>H</sub> / 67 <sub>D</sub> |
| ASC1 Transmit                              | ASC1_TIC         | xx'0120 <sub>H</sub>          | 48 <sub>H</sub> / 72 <sub>D</sub> |
| ASC1 Transmit Buffer                       | ASC1_TBIC        | xx'0178 <sub>H</sub>          | 5E <sub>H</sub> / 94 <sub>D</sub> |
| ASC1 Receive                               | ASC1_RIC         | xx'0124 <sub>H</sub>          | 49 <sub>H</sub> / 73 <sub>D</sub> |
| ASC1 Error                                 | ASC1_EIC         | xx'0128 <sub>H</sub>          | 4A <sub>H</sub> / 74 <sub>D</sub> |
| ASC1 Autobaud                              | ASC1_ABIC        | xx'0108 <sub>H</sub>          | 42 <sub>H</sub> / 66 <sub>D</sub> |
| End of PEC Subchannel                      | EOPIC            | xx'0130 <sub>H</sub>          | 4C <sub>H</sub> / 76 <sub>D</sub> |

**Functional Description**
**Table 4 XC164CS Interrupt Nodes (cont'd)**

| Source of Interrupt or PEC Service Request | Control Register | Vector Location <sup>1)</sup> | Trap Number                       |
|--|------------------|-------------------------------|-----------------------------------|
| CAPCOM6 Timer T12                          | CCU6_T12IC       | xx'0134 <sub>H</sub>          | 4D <sub>H</sub> / 77 <sub>D</sub> |
| CAPCOM6 Timer T13                          | CCU6_T13IC       | xx'0138 <sub>H</sub>          | 4E <sub>H</sub> / 78 <sub>D</sub> |
| CAPCOM6 Emergency                          | CCU6_EIC         | xx'013C <sub>H</sub>          | 4F <sub>H</sub> / 79 <sub>D</sub> |
| CAPCOM6                                    | CCU6_IC          | xx'0140 <sub>H</sub>          | 50 <sub>H</sub> / 80 <sub>D</sub> |
| SSC1 Transmit                              | SSC1_TIC         | xx'0144 <sub>H</sub>          | 51 <sub>H</sub> / 81 <sub>D</sub> |
| SSC1 Receive                               | SSC1_RIC         | xx'0148 <sub>H</sub>          | 52 <sub>H</sub> / 82 <sub>D</sub> |
| SSC1 Error                                 | SSC1_EIC         | xx'014C <sub>H</sub>          | 53 <sub>H</sub> / 83 <sub>D</sub> |
| CAN0                                       | CAN_0IC          | xx'0150 <sub>H</sub>          | 54 <sub>H</sub> / 84 <sub>D</sub> |
| CAN1                                       | CAN_1IC          | xx'0154 <sub>H</sub>          | 55 <sub>H</sub> / 85 <sub>D</sub> |
| CAN2                                       | CAN_2IC          | xx'0158 <sub>H</sub>          | 56 <sub>H</sub> / 86 <sub>D</sub> |
| CAN3                                       | CAN_3IC          | xx'015C <sub>H</sub>          | 57 <sub>H</sub> / 87 <sub>D</sub> |
| CAN4                                       | CAN_4IC          | xx'0164 <sub>H</sub>          | 59 <sub>H</sub> / 89 <sub>D</sub> |
| CAN5                                       | CAN_5IC          | xx'0168 <sub>H</sub>          | 5A <sub>H</sub> / 90 <sub>D</sub> |
| CAN6                                       | CAN_6IC          | xx'016C <sub>H</sub>          | 5B <sub>H</sub> / 91 <sub>D</sub> |
| CAN7                                       | CAN_7IC          | xx'0170 <sub>H</sub>          | 5C <sub>H</sub> / 92 <sub>D</sub> |
| RTC  | RTC_IC           | xx'0174 <sub>H</sub>          | 5D <sub>H</sub> / 93 <sub>D</sub> |
| Unassigned node                            | –                | xx'0100 <sub>H</sub>          | 40 <sub>H</sub> / 64 <sub>D</sub> |
| Unassigned node                            | –                | xx'0104 <sub>H</sub>          | 41 <sub>H</sub> / 65 <sub>D</sub> |
| Unassigned node                            | –                | xx'012C <sub>H</sub>          | 4B <sub>H</sub> / 75 <sub>D</sub> |
| Unassigned node                            | –                | xx'00FC <sub>H</sub>          | 3F <sub>H</sub> / 63 <sub>D</sub> |
| Unassigned node                            | –                | xx'0160 <sub>H</sub>          | 58 <sub>H</sub> / 88 <sub>D</sub> |

1) Register VECSEG defines the segment where the vector table is located to. Bitfield VECSC in register CPUCON1 defines the distance between two adjacent vectors. This table represents the default setting, with a distance of 4 (two words) between two vectors.

تهیه و توزیع قطعات الکترونیک



**Functional Description**

The XC164CS also provides an excellent mechanism to identify and to process exceptions or error conditions that arise during run-time, so-called 'Hardware Traps'. Hardware traps cause immediate non-maskable system reaction which is similar to a standard interrupt service (branching to a dedicated vector table location). The occurrence of a hardware trap is additionally signified by an individual bit in the trap flag register (TFR). Except when another higher prioritized trap service is in progress, a hardware trap will interrupt any actual program execution. In turn, hardware trap services can normally not be interrupted by standard or PEC interrupts.

**Table 5** shows all of the possible exceptions or error conditions that can arise during run-time:

**Table 5 Hardware Trap Summary**

| Exception Condition   | Trap Flag                           | Trap Vector                               | Vector Location <sup>1)</sup>  | Trap Number  | Trap Priority              |
|---|-------------------------------------|---|--|--|----------------------------|
| Reset Functions:<br><ul style="list-style-type: none"> <li>Hardware Reset</li> <li>Software Reset</li> <li>Watchdog Timer Overflow</li> </ul>   | –                                   | RESET<br>RESET<br>RESET                   | xx'0000 <sub>H</sub><br>xx'0000 <sub>H</sub><br>xx'0000 <sub>H</sub>                         | 00 <sub>H</sub><br>00 <sub>H</sub><br>00 <sub>H</sub>                    | III<br>III<br>III          |
| Class A Hardware Traps:<br><ul style="list-style-type: none"> <li>Non-Maskable Interrupt</li> <li>Stack Overflow</li> <li>Stack Underflow</li> <li>Software Break</li> </ul>                      | NMI<br>STKOF<br>STKUF<br>SOFTBRK    | NMITRAP<br>STOTRAP<br>STUTRAP<br>SBRKTRAP | xx'0008 <sub>H</sub><br>xx'0010 <sub>H</sub><br>xx'0018 <sub>H</sub><br>xx'0020 <sub>H</sub> | 02 <sub>H</sub><br>04 <sub>H</sub><br>06 <sub>H</sub><br>08 <sub>H</sub> | II<br>II<br>II<br>II       |
| Class B Hardware Traps:<br><ul style="list-style-type: none"> <li>Undefined Opcode</li> <li>PMI Access Error</li> <li>Protected Instruction Fault</li> <li>Illegal Word Operand Access</li> </ul> | UNDOPC<br>PACER<br>PRTFLT<br>ILLOPA | BTRAP<br>BTRAP<br>BTRAP<br>BTRAP          | xx'0028 <sub>H</sub><br>xx'0028 <sub>H</sub><br>xx'0028 <sub>H</sub><br>xx'0028 <sub>H</sub> | 0A <sub>H</sub><br>0A <sub>H</sub><br>0A <sub>H</sub><br>0A <sub>H</sub> | I<br>I<br>I<br>I           |
| Reserved  | –                                   | –   | [2C <sub>H</sub> - 3C <sub>H</sub> ]   | [0B <sub>H</sub> - 0F <sub>H</sub> ]                                     | –                          |
| Software Traps<br><ul style="list-style-type: none"> <li>TRAP Instruction</li> </ul>  | –                                   | –   | Any<br>[xx'0000 <sub>H</sub> -<br>xx'01FC <sub>H</sub> ]<br>in steps of<br>4 <sub>H</sub>    | Any<br>[00 <sub>H</sub> -<br>7F <sub>H</sub> ]                           | Current<br>CPU<br>Priority |

1) Register VECSEG defines the segment where the vector table is located to.



### **3.5 On-Chip Debug Support (OCDS)**

The On-Chip Debug Support system provides a broad range of debug and emulation features built into the XC164CS. The user software running on the XC164CS can thus be debugged within the target system environment.

The OCDS is controlled by an external debugging device via the debug interface, consisting of the IEEE-1149-conforming JTAG port and a break interface. The debugger controls the OCDS via a set of dedicated registers accessible via the JTAG interface. Additionally, the OCDS system can be controlled by the CPU, e.g. by a monitor program. An injection interface allows the execution of OCDS-generated instructions by the CPU. Multiple breakpoints can be triggered by on-chip hardware, by software, or by an external trigger input. Single stepping is supported as well as the injection of arbitrary instructions and read/write access to the complete internal address space. A breakpoint trigger can be answered with a CPU-halt, a monitor call, a data transfer, or/and the activation of an external signal.

Tracing data can be obtained via the JTAG interface or via the external bus interface for increased performance.

The debug interface uses a set of 6 interface signals (4 JTAG lines, 2 break lines) to communicate with external circuitry. These interface signals are realized as alternate functions on Port 3 pins.

Complete system emulation is supported by the New Emulation Technology (NET) interface.



تهیه و توزیع قطعات الکترونیک

### 3.6 Capture/Compare Units (CAPCOM1/2)

The CAPCOM units support generation and control of timing sequences on up to 32 channels with a maximum resolution of 1 system clock cycle (8 cycles in staggered mode). The CAPCOM units are typically used to handle high speed I/O tasks such as pulse and waveform generation, pulse width modulation (PMW), Digital to Analog (D/A) conversion, software timing, or time recording relative to external events.

Four 16-bit timers (T0/T1, T7/T8) with reload registers provide two independent time bases for each capture/compare register array.

The input clock for the timers is programmable to several prescaled values of the internal system clock, or may be derived from an overflow/underflow of timer T6 in module GPT2. This provides a wide range of variation for the timer period and resolution and allows precise adjustments to the application specific requirements. In addition, external count inputs for CAPCOM timers T0 and T7 allow event scheduling for the capture/compare registers relative to external events.

Both of the two capture/compare register arrays contain 16 dual purpose capture/compare registers, each of which may be individually allocated to either CAPCOM timer T0 or T1 (T7 or T8, respectively), and programmed for capture or compare function.

12 registers of the CAPCOM2 module have each one port pin associated with it which serves as an input pin for triggering the capture function, or as an output pin to indicate the occurrence of a compare event.

**Table 6 Compare Modes (CAPCOM1/2)**

| <b>Compare Modes</b> | <b>Function</b>   |
|----------------------|---|
| Mode 0               | Interrupt-only compare mode; several compare interrupts per timer period are possible                                     |
| Mode 1               | Pin toggles on each compare match; several compare events per timer period are possible                                   |
| Mode 2               | Interrupt-only compare mode; only one compare interrupt per timer period is generated                                     |
| Mode 3               | Pin set '1' on match; pin reset '0' on compare timer overflow; only one compare event per timer period is generated       |
| Double Register Mode | Two registers operate on one pin; pin toggles on each compare match; several compare events per timer period are possible |
| Single Event Mode    | Generates single edges or pulses; can be used with any compare mode   |

## Functional Description

When a capture/compare register has been selected for capture mode, the current contents of the allocated timer will be latched ('captured') into the capture/compare register in response to an external event at the port pin which is associated with this register. In addition, a specific interrupt request for this capture/compare register is generated. Either a positive, a negative, or both a positive and a negative external signal transition at the pin can be selected as the triggering event.

The contents of all registers which have been selected for one of the five compare modes are continuously compared with the contents of the allocated timers.

When a match occurs between the timer value and the value in a capture/compare register, specific actions will be taken based on the selected compare mode.



تهیه و توزیع قطعات الکترونیک

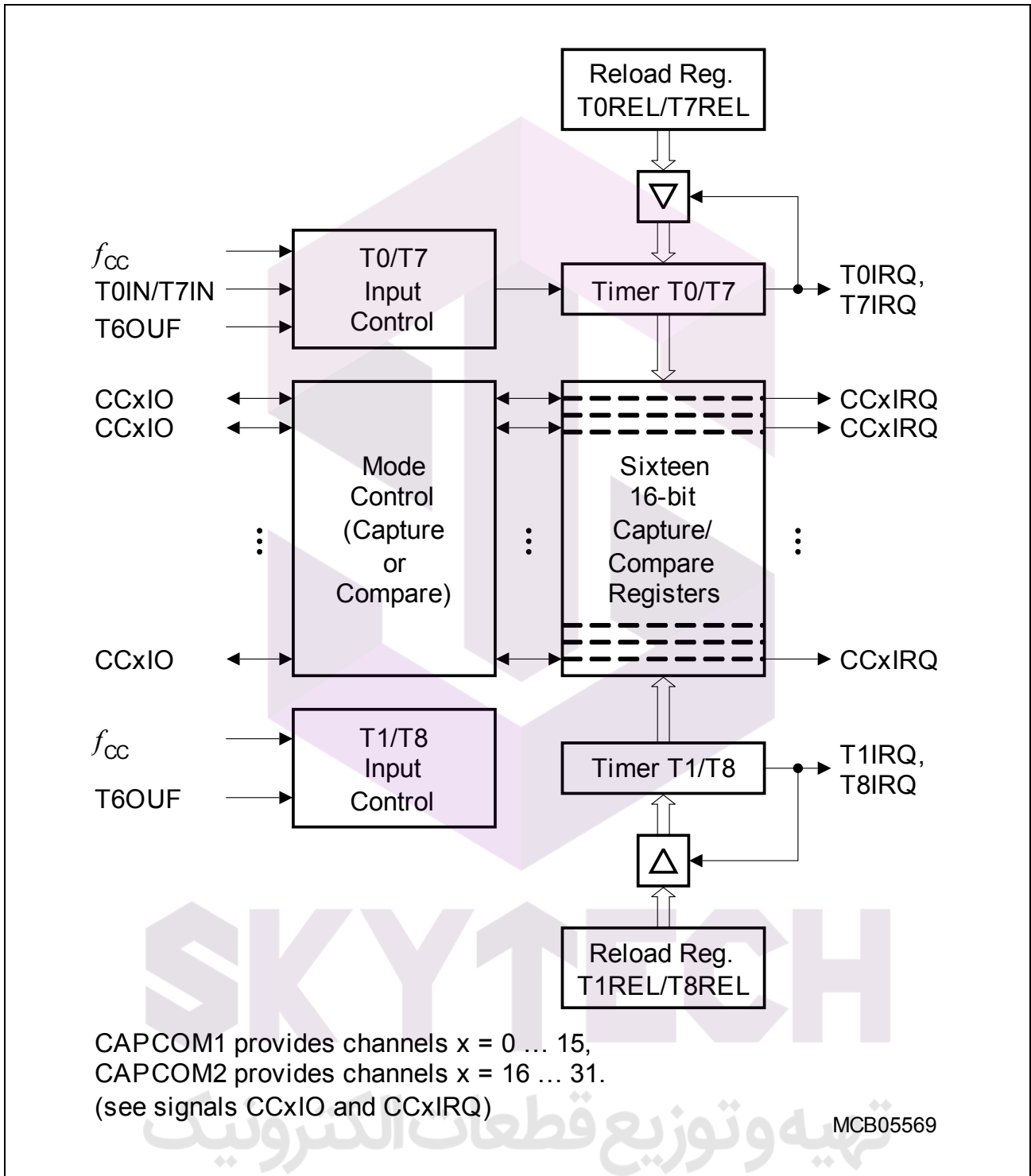


Figure 5 CAPCOM1/2 Unit Block Diagram

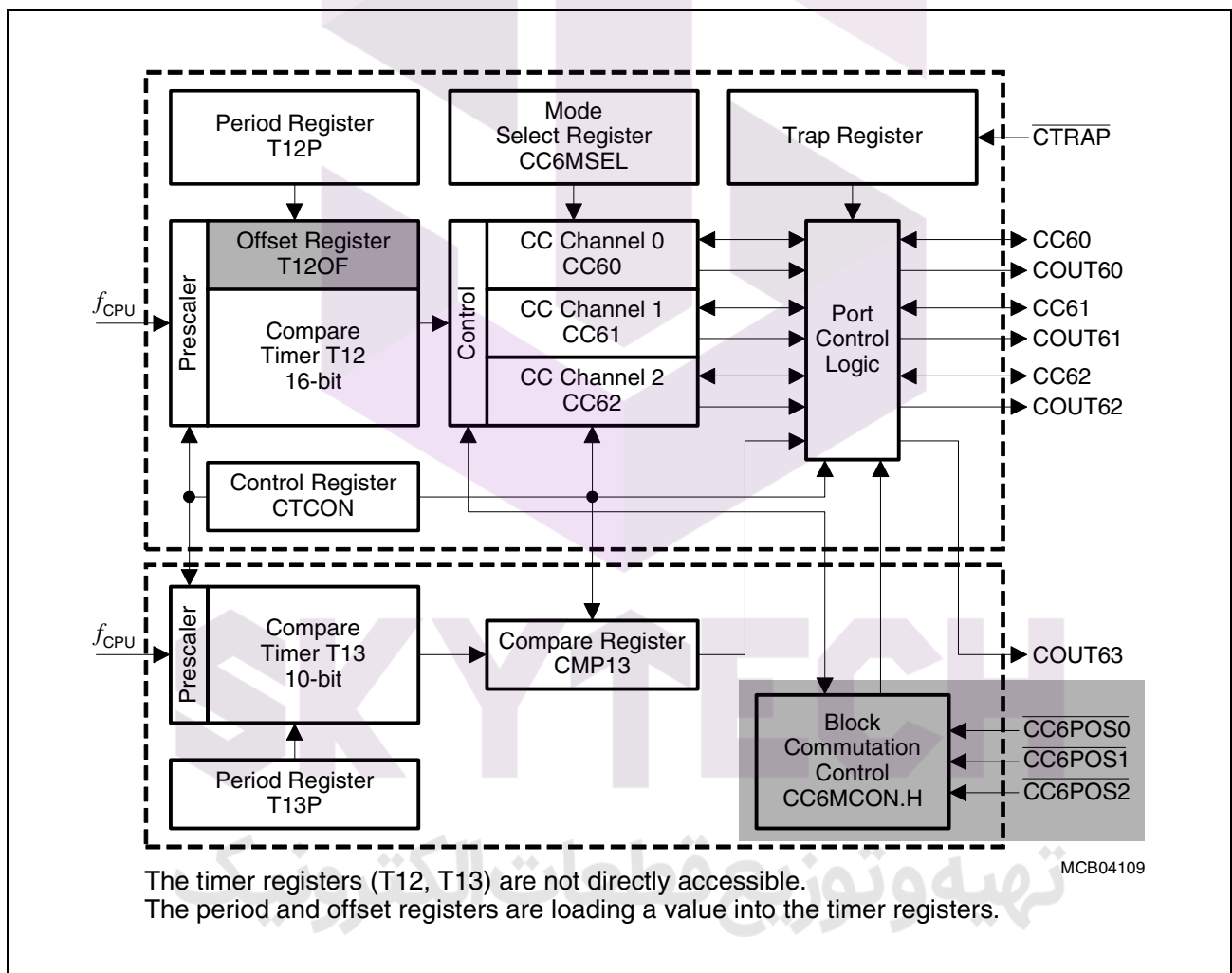
### 3.7 The Capture/Compare Unit CAPCOM6

The CAPCOM6 unit supports generation and control of timing sequences on up to three 16-bit capture/compare channels plus one independent 10-bit compare channel.

In compare mode the CAPCOM6 unit provides two output signals per channel which have inverted polarity and non-overlapping pulse transitions (deadtime control). The compare channel can generate a single PWM output signal and is further used to modulate the capture/compare output signals.

In capture mode the contents of compare timer T12 is stored in the capture registers upon a signal transition at pins CCx.

Compare timers T12 (16-bit) and T13 (10-bit) are free running timers which are clocked by the prescaled system clock.



**Figure 6 CAPCOM6 Block Diagram**

For motor control applications both subunits may generate versatile multichannel PWM signals which are basically either controlled by compare timer T12 or by a typical hall sensor pattern at the interrupt inputs (block commutation).

### 3.8 General Purpose Timer (GPT12E) Unit

The GPT12E unit represents a very flexible multifunctional timer/counter structure which may be used for many different time related tasks such as event timing and counting, pulse width and duty cycle measurements, pulse generation, or pulse multiplication.

The GPT12E unit incorporates five 16-bit timers which are organized in two separate modules, GPT1 and GPT2. Each timer in each module may operate independently in a number of different modes, or may be concatenated with another timer of the same module.

Each of the three timers T2, T3, T4 of **module GPT1** can be configured individually for one of four basic modes of operation, which are Timer, Gated Timer, Counter, and Incremental Interface Mode. In Timer Mode, the input clock for a timer is derived from the system clock, divided by a programmable prescaler, while Counter Mode allows a timer to be clocked in reference to external events.

Pulse width or duty cycle measurement is supported in Gated Timer Mode, where the operation of a timer is controlled by the 'gate' level on an external input pin. For these purposes, each timer has one associated port pin (TxIN) which serves as gate or clock input. The maximum resolution of the timers in module GPT1 is 4 system clock cycles.

The count direction (up/down) for each timer is programmable by software or may additionally be altered dynamically by an external signal on a port pin (TxEUD) to facilitate e.g. position tracking.

In Incremental Interface Mode the GPT1 timers (T2, T3, T4) can be directly connected to the incremental position sensor signals A and B via their respective inputs TxIN and TxEUD. Direction and count signals are internally derived from these two input signals, so the contents of the respective timer Tx corresponds to the sensor position. The third position sensor signal TOP0 can be connected to an interrupt input.

Timer T3 has an output toggle latch (T3OTL) which changes its state on each timer overflow/underflow. The state of this latch may be output on pin T3OUT e.g. for time out monitoring of external hardware components. It may also be used internally to clock timers T2 and T4 for measuring long time periods with high resolution.

In addition to their basic operating modes, timers T2 and T4 may be configured as reload or capture registers for timer T3. When used as capture or reload registers, timers T2 and T4 are stopped. The contents of timer T3 is captured into T2 or T4 in response to a signal at their associated input pins (TxIN). Timer T3 is reloaded with the contents of T2 or T4 triggered either by an external signal or by a selectable state transition of its toggle latch T3OTL. When both T2 and T4 are configured to alternately reload T3 on opposite state transitions of T3OTL with the low and high times of a PWM signal, this signal can be constantly generated without software intervention.

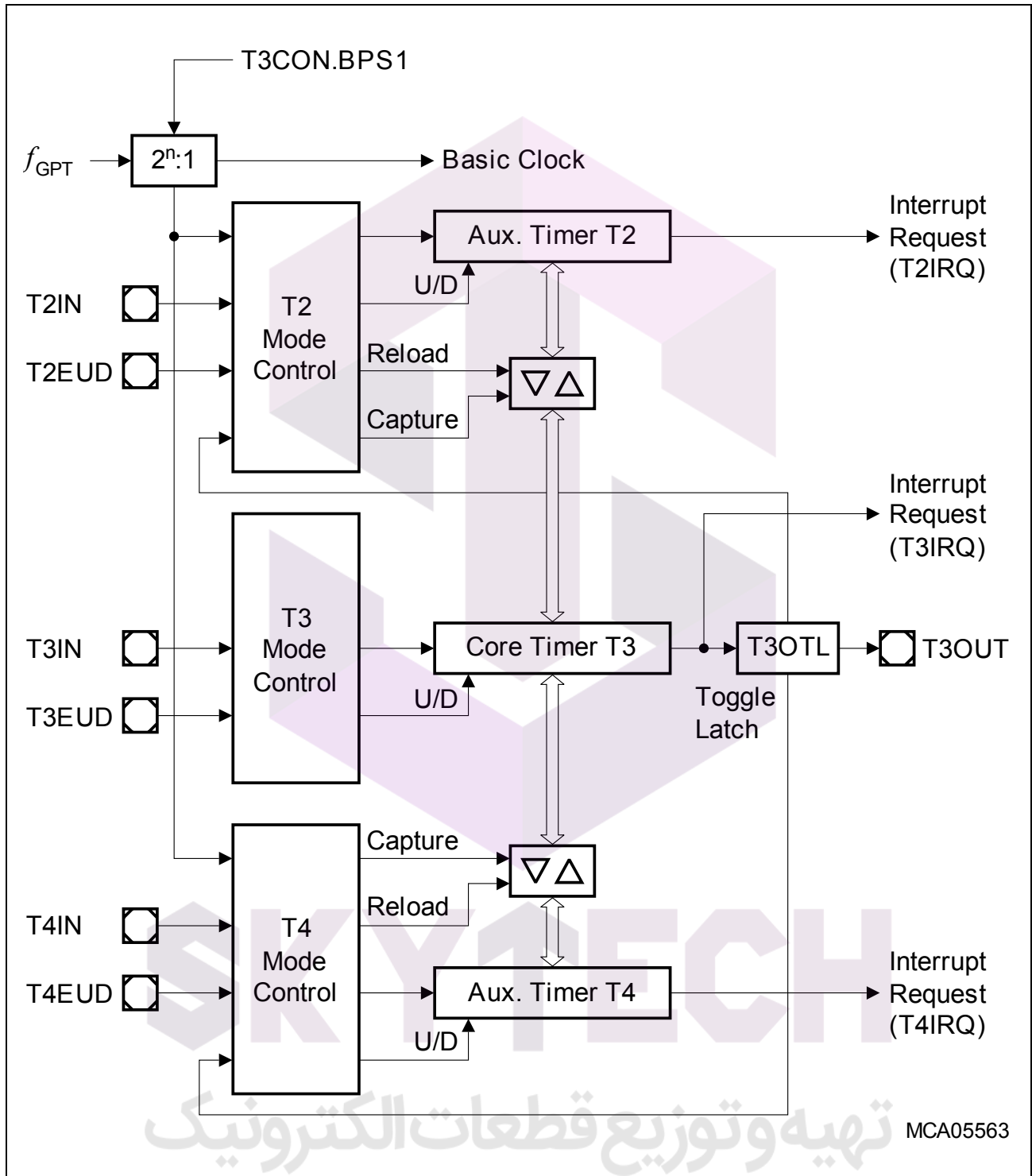


Figure 7 Block Diagram of GPT1

With its maximum resolution of 2 system clock cycles, the **GPT2 module** provides precise event control and time measurement. It includes two timers (T5, T6) and a capture/reload register (CAPREL). Both timers can be clocked with an input clock which is derived from the CPU clock via a programmable prescaler or with external signals. The



## **Functional Description**

count direction (up/down) for each timer is programmable by software or may additionally be altered dynamically by an external signal on a port pin (TxEUD). Concatenation of the timers is supported via the output toggle latch (T6OTL) of timer T6, which changes its state on each timer overflow/underflow.

The state of this latch may be used to clock timer T5, and/or it may be output on pin T6OUT. The overflows/underflows of timer T6 can additionally be used to clock the CAPCOM1/2 timers, and to cause a reload from the CAPREL register.

The CAPREL register may capture the contents of timer T5 based on an external signal transition on the corresponding port pin (CAPIN), and timer T5 may optionally be cleared after the capture procedure. This allows the XC164CS to measure absolute time differences or to perform pulse multiplication without software overhead.

The capture trigger (timer T5 to CAPREL) may also be generated upon transitions of GPT1 timer T3's inputs T3IN and/or T3EUD. This is especially advantageous when T3 operates in Incremental Interface Mode.



تهیه و توزیع قطعات الکترونیک

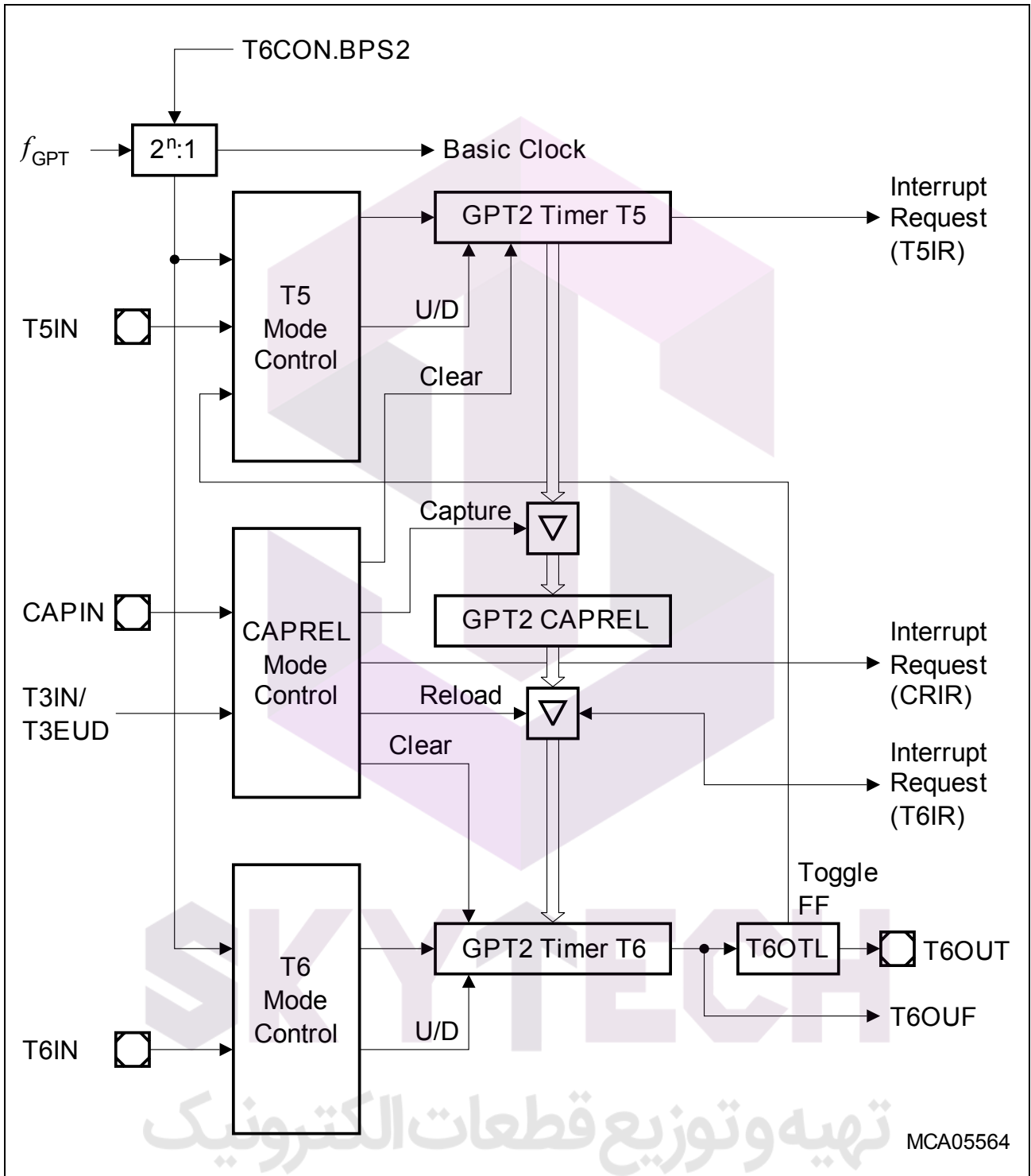


Figure 8 Block Diagram of GPT2

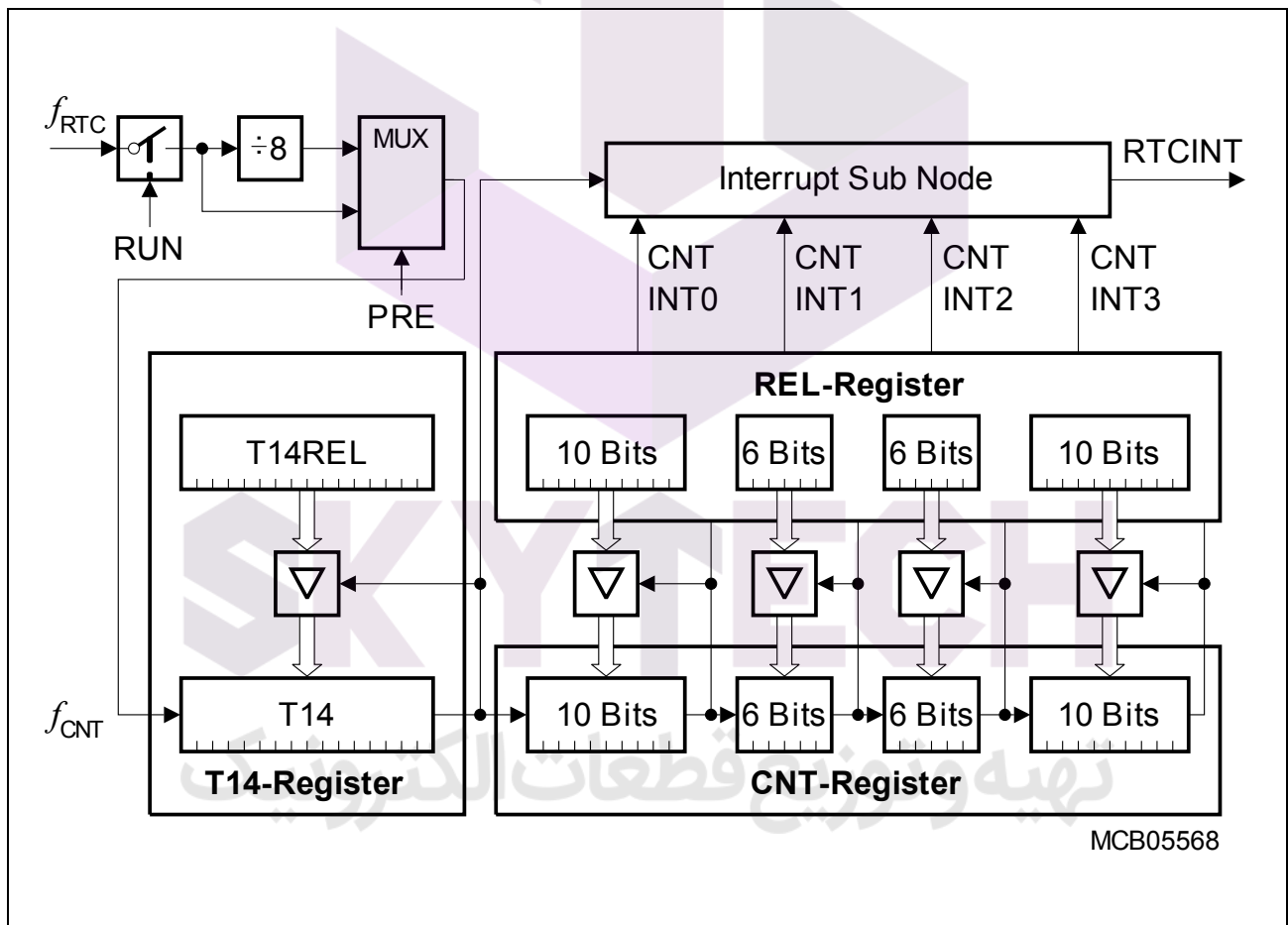
### 3.9 Real Time Clock

The Real Time Clock (RTC) module of the XC164CS is directly clocked via a separate clock driver with the prescaled on-chip main oscillator frequency ( $f_{RTC} = f_{OSCm}/32$ ). It is therefore independent from the selected clock generation mode of the XC164CS.

The RTC basically consists of a chain of divider blocks:

- a selectable 8:1 divider (on - off)
- the reloadable 16-bit timer T14
- the 32-bit RTC timer block (accessible via registers RTCH and RTCL), made of:
  - a reloadable 10-bit timer
  - a reloadable 6-bit timer
  - a reloadable 6-bit timer
  - a reloadable 10-bit timer

All timers count up. Each timer can generate an interrupt request. All requests are combined to a common node request.



**Figure 9 RTC Block Diagram**

*Note: The registers associated with the RTC are not affected by a reset in order to maintain the correct system time even when intermediate resets are executed.*

## Functional Description

The RTC module can be used for different purposes:

- System clock to determine the current time and date, optionally during idle mode, sleep mode, and power down mode
- Cyclic time based interrupt, to provide a system time tick independent of CPU frequency and other resources, e.g. to wake up regularly from idle mode
- 48-bit timer for long term measurements (maximum timespan is > 100 years)
- Alarm interrupt for wake-up on a defined time



### **3.10 A/D Converter**

For analog signal measurement, a 10-bit A/D converter with 14 multiplexed input channels and a sample and hold circuit has been integrated on-chip. It uses the method of successive approximation. The sample time (for loading the capacitors) and the conversion time is programmable (in two modes) and can thus be adjusted to the external circuitry. The A/D converter can also operate in 8-bit conversion mode, where the conversion time is further reduced.

Overrun error detection/protection is provided for the conversion result register (ADDAT): either an interrupt request will be generated when the result of a previous conversion has not been read from the result register at the time the next conversion is complete, or the next conversion is suspended in such a case until the previous result has been read.

For applications which require less analog input channels, the remaining channel inputs can be used as digital input port pins.

The A/D converter of the XC164CS supports four different conversion modes. In the standard Single Channel conversion mode, the analog level on a specified channel is sampled once and converted to a digital result. In the Single Channel Continuous mode, the analog level on a specified channel is repeatedly sampled and converted without software intervention. In the Auto Scan mode, the analog levels on a prespecified number of channels are sequentially sampled and converted. In the Auto Scan Continuous mode, the prespecified channels are repeatedly sampled and converted. In addition, the conversion of a specific channel can be inserted (injected) into a running sequence without disturbing this sequence. This is called Channel Injection Mode.

The Peripheral Event Controller (PEC) may be used to automatically store the conversion results into a table in memory for later evaluation, without requiring the overhead of entering and exiting interrupt routines for each data transfer.

After each reset and also during normal operation the ADC automatically performs calibration cycles. This automatic self-calibration constantly adjusts the converter to changing operating conditions (e.g. temperature) and compensates process variations.

These calibration cycles are part of the conversion cycle, so they do not affect the normal operation of the A/D converter.

In order to decouple analog inputs from digital noise and to avoid input trigger noise those pins used for analog input can be disconnected from the digital IO or input stages under software control. This can be selected for each pin separately via register P5DIDIS (Port 5 Digital Input Disable).

The Auto-Power-Down feature of the A/D converter minimizes the power consumption when no conversion is in progress.

### 3.11 Asynchronous/Synchronous Serial Interfaces (ASC0/ASC1)

The Asynchronous/Synchronous Serial Interfaces ASC0/ASC1 (USARTs) provide serial communication with other microcontrollers, processors, terminals or external peripheral components. They are upward compatible with the serial ports of the Infineon 8-bit microcontroller families and support full-duplex asynchronous communication and half-duplex synchronous communication. A dedicated baud rate generator with a fractional divider precisely generates all standard baud rates without oscillator tuning. For transmission, reception, error handling, and baudrate detection 5 separate interrupt vectors are provided.

In asynchronous mode, 8- or 9-bit data frames (with optional parity bit) are transmitted or received, preceded by a start bit and terminated by one or two stop bits. For multiprocessor communication, a mechanism to distinguish address from data bytes has been included (8-bit data plus wake-up bit mode). IrDA data transmissions up to 115.2 kbit/s with fixed or programmable IrDA pulse width are supported.

In synchronous mode, bytes (8 bits) are transmitted or received synchronously to a shift clock which is generated by the ASC0/1. The LSB is always shifted first.

In both modes, transmission and reception of data is FIFO-buffered. An autobaud detection unit allows to detect asynchronous data frames with its baudrate and mode with automatic initialization of the baudrate generator and the mode control bits.

A number of optional hardware error detection capabilities has been included to increase the reliability of data transfers. A parity bit can automatically be generated on transmission or be checked on reception. Framing error detection allows to recognize data frames with missing stop bits. An overrun error will be generated, if the last character received has not been read out of the receive buffer register at the time the reception of a new character is complete.

#### Summary of Features

- Full-duplex asynchronous operating modes
  - 8- or 9-bit data frames, LSB first, one or two stop bits, parity generation/checking
  - Baudrate from 2.5 Mbit/s to 0.6 bit/s (@ 40 MHz)
  - Multiprocessor mode for automatic address/data byte detection
  - Support for IrDA data transmission/reception up to max. 115.2 kbit/s (@ 40 MHz)
  - Loop-back capability
  - Auto baudrate detection
- Half-duplex 8-bit synchronous operating mode at 5 Mbit/s to 406.9 bit/s (@ 40 MHz)
- Buffered transmitter/receiver with FIFO support (8 entries per direction)
- Loop-back option available for testing purposes
- Interrupt generation on transmitter buffer empty condition, last bit transmitted condition, receive buffer full condition, error condition (frame, parity, overrun error), start and end of an autobaud detection



### 3.12 High Speed Synchronous Serial Channels (SSC0/SSC1)

The High Speed Synchronous Serial Channels SSC0/SSC1 support full-duplex and half-duplex synchronous communication. It may be configured so it interfaces with serially linked peripheral components, full SPI functionality is supported.

A dedicated baud rate generator allows to set up all standard baud rates without oscillator tuning. For transmission, reception and error handling three separate interrupt vectors are provided.

The SSC transmits or receives characters of 2 ... 16 bits length synchronously to a shift clock which can be generated by the SSC (master mode) or by an external master (slave mode). The SSC can start shifting with the LSB or with the MSB and allows the selection of shifting and latching clock edges as well as the clock polarity.

A number of optional hardware error detection capabilities has been included to increase the reliability of data transfers. Transmit error and receive error supervise the correct handling of the data buffer. Phase error and baudrate error detect incorrect serial data.

#### Summary of Features

- Master or Slave mode operation
- Full-duplex or Half-duplex transfers
- Baudrate generation from 20 Mbit/s to 305.18 bit/s (@ 40 MHz)
- Flexible data format
  - Programmable number of data bits: 2 to 16 bits
  - Programmable shift direction: LSB-first or MSB-first
  - Programmable clock polarity: idle low or idle high
  - Programmable clock/data phase: data shift with leading or trailing clock edge
- Loop back option available for testing purposes
- Interrupt generation on transmitter buffer empty condition, receive buffer full condition, error condition (receive, phase, baudrate, transmit error)
- Three pin interface with flexible SSC pin configuration

SKYTECH  
تهیه و توزیع قطعات الکترونیک

### 3.13 TwinCAN Module

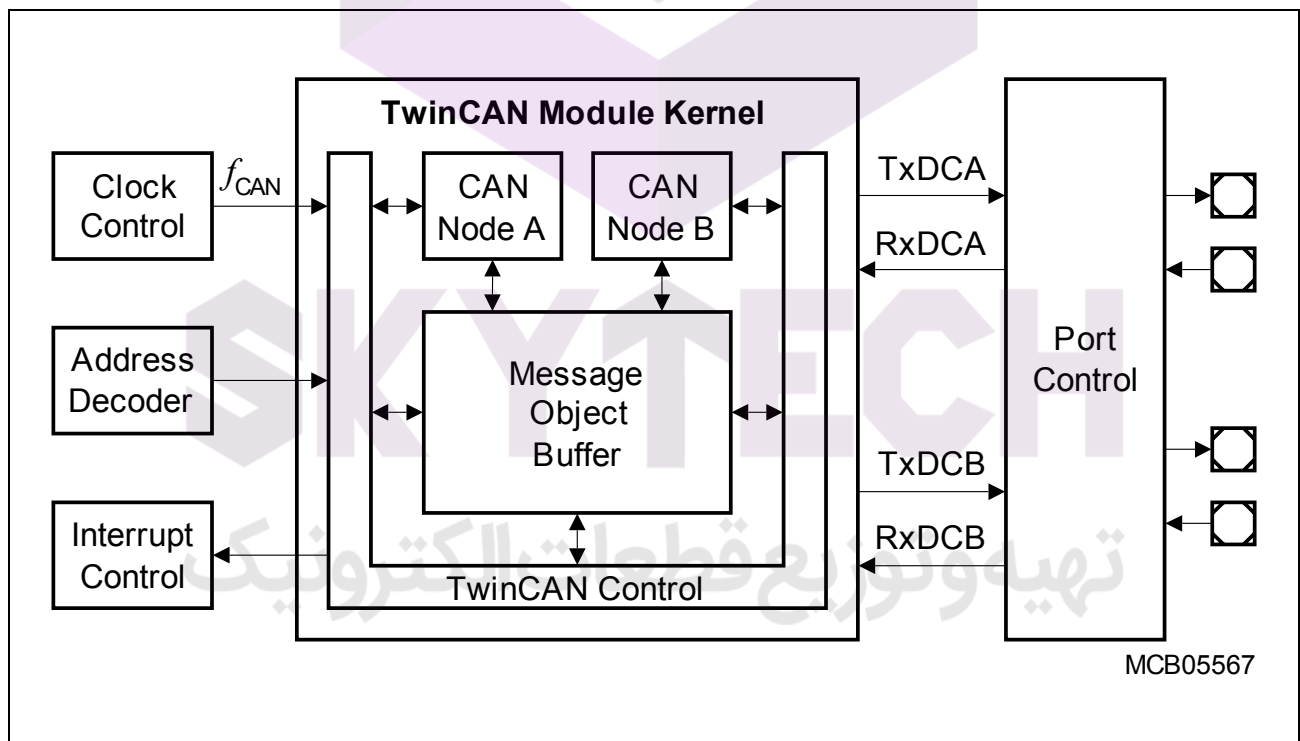
The integrated TwinCAN module handles the completely autonomous transmission and reception of CAN frames in accordance with the CAN specification V2.0 part B (active), i.e. the on-chip TwinCAN module can receive and transmit standard frames with 11-bit identifiers as well as extended frames with 29-bit identifiers.

Two Full-CAN nodes share the TwinCAN module's resources to optimize the CAN bus traffic handling and to minimize the CPU load. The module provides up to 32 message objects, which can be assigned to one of the CAN nodes and can be combined to FIFO-structures. Each object provides separate masks for acceptance filtering.

The flexible combination of Full-CAN functionality and FIFO architecture reduces the efforts to fulfill the real-time requirements of complex embedded control applications. Improved CAN bus monitoring functionality as well as the number of message objects permit precise and comfortable CAN bus traffic handling.

Gateway functionality allows automatic data exchange between two separate CAN bus systems, which reduces CPU load and improves the real time behavior of the entire system.

The bit timing for both CAN nodes is derived from the master clock and is programmable up to a data rate of 1 Mbit/s. Each CAN node uses two pins of Port 4, Port 7, or Port 9 to interface to an external bus transceiver. The interface pins are assigned via software.



**Figure 10 TwinCAN Module Block Diagram**

## Summary of Features

- CAN functionality according to CAN specification V2.0 B active
- Data transfer rate up to 1 Mbit/s
- Flexible and powerful message transfer control and error handling capabilities
- Full-CAN functionality and Basic CAN functionality for each message object
- 32 flexible message objects
  - Assignment to one of the two CAN nodes
  - Configuration as transmit object or receive object
  - Concatenation to a 2-, 4-, 8-, 16-, or 32-message buffer with FIFO algorithm
  - Handling of frames with 11-bit or 29-bit identifiers
  - Individual programmable acceptance mask register for filtering for each object
  - Monitoring via a frame counter
  - Configuration for Remote Monitoring Mode
- Up to eight individually programmable interrupt nodes can be used
- CAN Analyzer Mode for bus monitoring is implemented

*Note: When a CAN node has the interface lines assigned to Port 4, the segment address output on Port 4 must be limited.  $\overline{CS}$  lines can be used to increase the total amount of addressable external memory.*

SKYTECH

تهیه و توزیع قطعات الکترونیک

### 3.14 Watchdog Timer

The Watchdog Timer represents one of the fail-safe mechanisms which have been implemented to prevent the controller from malfunctioning for longer periods of time.

The Watchdog Timer is always enabled after a reset of the chip, and can be disabled until the EINIT instruction has been executed (compatible mode), or it can be disabled and enabled at any time by executing instructions DISWDT and ENWDT (enhanced mode). Thus, the chip's start-up procedure is always monitored. The software has to be designed to restart the Watchdog Timer before it overflows. If, due to hardware or software related failures, the software fails to do so, the Watchdog Timer overflows and generates an internal hardware reset and pulls the RSTOUT pin low in order to allow external hardware components to be reset.

The Watchdog Timer is a 16-bit timer, clocked with the system clock divided by 2/4/128/256. The high byte of the Watchdog Timer register can be set to a prespecified reload value (stored in WDTREL) in order to allow further variation of the monitored time interval. Each time it is serviced by the application software, the high byte of the Watchdog Timer is reloaded and the low byte is cleared. Thus, time intervals between 13  $\mu$ s and 419 ms can be monitored (@ 40 MHz).

The default Watchdog Timer interval after reset is 3.28 ms (@ 40 MHz).



تهیه و توزیع قطعات الکترونیک

### 3.15 Clock Generation

The Clock Generation Unit uses a programmable on-chip PLL with multiple prescalers to generate the clock signals for the XC164CS with high flexibility. The master clock  $f_{MC}$  is the reference clock signal, and is used for TwinCAN and is output to the external system. The CPU clock  $f_{CPU}$  and the system clock  $f_{SYS}$  are derived from the master clock either directly (1:1) or via a 2:1 prescaler ( $f_{SYS} = f_{CPU} = f_{MC} / 2$ ). See also [Section 4.4.1](#).

The on-chip oscillator can drive an external crystal or accepts an external clock signal. The oscillator clock frequency can be multiplied by the on-chip PLL (by a programmable factor) or can be divided by a programmable prescaler factor.

If the bypass mode is used (direct drive or prescaler) the PLL can deliver an independent clock to monitor the clock signal generated by the on-chip oscillator. This PLL clock is independent from the XTAL1 clock. When the expected oscillator clock transitions are missing the Oscillator Watchdog (OWD) activates the PLL Unlock/OWD interrupt node and supplies the CPU with an emergency clock, the PLL clock signal. Under these circumstances the PLL will oscillate with its basic frequency.

**The oscillator watchdog can be disabled** by switching the PLL off. This reduces power consumption, but also no interrupt request will be generated in case of a missing oscillator clock.

*Note: At the end of an external reset ( $\overline{EA} = '0'$ ) the oscillator watchdog may be disabled via hardware by (externally) pulling the  $\overline{RD}$  line low upon a reset, similar to the standard reset configuration.*

### 3.16 Parallel Ports

The XC164CS provides up to 79 I/O lines which are organized into six input/output ports and one input port. All port lines are bit-addressable, and all input/output lines are individually (bit-wise) programmable as inputs or outputs via direction registers. The I/O ports are true bidirectional ports which are switched to high impedance state when configured as inputs. The output drivers of some I/O ports can be configured (pin by pin) for push/pull operation or open-drain operation via control registers. During the internal reset, all port pins are configured as inputs (except for pin RSTOUT).

The edge characteristics (shape) and driver characteristics (output current) of the port drivers can be selected via registers POCONx.

The input threshold of some ports is selectable (TTL or CMOS like), where the special CMOS like input threshold reduces noise sensitivity due to the input hysteresis. The input threshold may be selected individually for each byte of the respective ports.

All port lines have programmable alternate input or output functions associated with them. All port lines that are not used for these alternate functions may be used as general purpose IO lines.

**Table 7 Summary of the XC164CS's Parallel Ports**

| Port           | Control  | Alternate Functions   |
|----------------|--|---|
| <b>PORT0</b>   | Pad drivers                                    | Address/Data lines or data lines <sup>1)</sup>  |
| <b>PORT1</b>   | Pad drivers                                    | Address lines <sup>2)</sup>   |
|                |  | Capture inputs or compare outputs,<br>Serial interface lines  |
| <b>Port 3</b>  | Pad drivers,<br>Open drain,<br>Input threshold | Timer control signals, serial interface lines,<br>Optional bus control signal $\overline{\text{BHE/WRH}}$ ,<br>System clock output CLKOUT (or FOUT)                     |
| <b>Port 4</b>  | Pad drivers,<br>Open drain,<br>Input threshold | Segment address lines <sup>3)</sup> , $\overline{\text{CS}}$ signal lines   |
|                |  | CAN interface lines <sup>4)</sup>   |
| <b>Port 5</b>  | –  | Analog input channels to the A/D converter,<br>Timer control signals  |
| <b>Port 9</b>  | Pad drivers,<br>Open drain,<br>Input threshold | Capture inputs or compare outputs   |
|                |  | CAN interface lines <sup>4)</sup>   |
| <b>Port 20</b> | Pad drivers,<br>Open drain                     | Bus control signals $\overline{\text{RD}}$ , $\overline{\text{WR/WRL}}$ , ALE,<br>External access enable pin $\overline{\text{EA}}$ ,<br>Reset indication output RSTOUT |

1) For multiplexed bus cycles.

2) For demultiplexed bus cycles.

3) For more than 64 Kbytes of external resources.

4) Can be assigned by software.

SKYTECH

تهیه و توزیع قطعات الکترونیک



### 3.17 Power Management

The XC164CS provides several means to control the power it consumes either at a given time or averaged over a certain timespan. Three mechanisms can be used (partly in parallel):

- **Power Saving Modes** switch the XC164CS into a special operating mode (control via instructions).  
Idle Mode stops the CPU while the peripherals can continue to operate.  
Sleep Mode and Power Down Mode stop all clock signals and all operation (RTC may optionally continue running). Sleep Mode can be terminated by external interrupt signals.
- **Clock Generation Management** controls the distribution and the frequency of internal and external clock signals. While the clock signals for currently inactive parts of logic are disabled automatically, the user can reduce the XC164CS's CPU clock frequency which drastically reduces the consumed power.  
External circuitry can be controlled via the programmable frequency output FOUT.
- **Peripheral Management** permits temporary disabling of peripheral modules (control via register SYSCON3). Each peripheral can separately be disabled/enabled.

The on-chip RTC supports intermittent operation of the XC164CS by generating cyclic wake-up signals. This offers full performance to quickly react on action requests while the intermittent sleep phases greatly reduce the average power consumption of the system.



تهیه و توزیع قطعات الکترونیک

### 3.18 Instruction Set Summary

**Table 8** lists the instructions of the XC164CS in a condensed way.

The various addressing modes that can be used with a specific instruction, the operation of the instructions, parameters for conditional execution of instructions, and the opcodes for each instruction can be found in the “**Instruction Set Manual**”.

This document also provides a detailed description of each instruction.

**Table 8 Instruction Set Summary**

| <b>Mnemonic</b> | <b>Description</b>   | <b>Bytes</b> |
|-----------------|--|--------------|
| ADD(B)          | Add word (byte) operands   | 2 / 4        |
| ADDC(B)         | Add word (byte) operands with Carry  | 2 / 4        |
| SUB(B)          | Subtract word (byte) operands  | 2 / 4        |
| SUBC(B)         | Subtract word (byte) operands with Carry   | 2 / 4        |
| MUL(U)          | (Un)Signed multiply direct GPR by direct GPR<br>(16- × 16-bit)                                       | 2            |
| DIV(U)          | (Un)Signed divide register MDL by direct GPR (16-/16-bit)  | 2            |
| DIVL(U)         | (Un)Signed long divide reg. MD by direct GPR (32-/16-bit)  | 2            |
| CPL(B)          | Complement direct word (byte) GPR  | 2            |
| NEG(B)          | Negate direct word (byte) GPR  | 2            |
| AND(B)          | Bitwise AND, (word/byte operands)  | 2 / 4        |
| OR(B)           | Bitwise OR, (word/byte operands)   | 2 / 4        |
| XOR(B)          | Bitwise exclusive OR, (word/byte operands)   | 2 / 4        |
| BCLR/BSET       | Clear/Set direct bit   | 2            |
| BMOV(N)         | Move (negated) direct bit to direct bit  | 4            |
| BAND/BOR/BXOR   | AND/OR/XOR direct bit with direct bit  | 4            |
| BCMP            | Compare direct bit to direct bit   | 4            |
| BFLDH/BFLDL     | Bitwise modify masked high/low byte of bit-addressable<br>direct word memory with immediate data     | 4            |
| CMP(B)          | Compare word (byte) operands   | 2 / 4        |
| CMPD1/2         | Compare word data to GPR and decrement GPR by 1/2  | 2 / 4        |
| CMPI1/2         | Compare word data to GPR and increment GPR by 1/2  | 2 / 4        |
| PRIOR           | Determine number of shift cycles to normalize direct<br>word GPR and store result in direct word GPR | 2            |
| SHL/SHR         | Shift left/right direct word GPR   | 2            |

**Functional Description**
**Table 8 Instruction Set Summary (cont'd)**

| <b>Mnemonic</b> | <b>Description</b>  | <b>Bytes</b> |
|-----------------|---|--------------|
| ROL/ROR         | Rotate left/right direct word GPR   | 2            |
| ASHR            | Arithmetic (sign bit) shift right direct word GPR                                     | 2            |
| MOV(B)          | Move word (byte) data   | 2 / 4        |
| MOVBS/Z         | Move byte operand to word op. with sign/zero extension                                | 2 / 4        |
| JMPA/I/R        | Jump absolute/indirect/relative if condition is met                                   | 4            |
| JMPS            | Jump absolute to a code segment   | 4            |
| JB(C)           | Jump relative if direct bit is set (and clear bit)                                    | 4            |
| JNB(S)          | Jump relative if direct bit is not set (and set bit)                                  | 4            |
| CALLA/I/R       | Call absolute/indirect/relative subroutine if condition is met                        | 4            |
| CALLS           | Call absolute subroutine in any code segment  | 4            |
| PCALL           | Push direct word register onto system stack and call absolute subroutine              | 4            |
| TRAP            | Call interrupt service routine via immediate trap number                              | 2            |
| PUSH/POP        | Push/pop direct word register onto/from system stack                                  | 2            |
| SCXT            | Push direct word register onto system stack and update register with word operand     | 4            |
| RET(P)          | Return from intra-segment subroutine (and pop direct word register from system stack) | 2            |
| RETS            | Return from inter-segment subroutine  | 2            |
| RETI            | Return from interrupt service subroutine  | 2            |
| SBRK            | Software Break  | 2            |
| SRST            | Software Reset  | 4            |
| IDLE            | Enter Idle Mode   | 4            |
| PWRDN           | Enter Power Down Mode (supposes $\overline{\text{NMI}}$ -pin being low)               | 4            |
| SRVWDT          | Service Watchdog Timer  | 4            |
| DISWDT/ENWDT    | Disable/Enable Watchdog Timer   | 4            |
| EINIT           | End-of-Initialization Register Lock   | 4            |
| ATOMIC          | Begin ATOMIC sequence   | 2            |
| EXTR            | Begin EXTended Register sequence  | 2            |
| EXTP(R)         | Begin EXTended Page (and Register) sequence   | 2 / 4        |
| EXTS(R)         | Begin EXTended Segment (and Register) sequence  | 2 / 4        |

Functional Description

**Table 8 Instruction Set Summary (cont'd)**

| Mnemonic     | Description                         | Bytes |
|--------------|-------------------------------------|-------|
| NOP          | Null operation                      | 2     |
| CoMUL/CoMAC  | Multiply (and accumulate)           | 4     |
| CoADD/CoSUB  | Add/Subtract                        | 4     |
| Co(A)SHR     | (Arithmetic) Shift right            | 4     |
| CoSHL        | Shift left                          | 4     |
| CoLOAD/STORE | Load accumulator/Store MAC register | 4     |
| CoCMP        | Compare                             | 4     |
| CoMAX/MIN    | Maximum/Minimum                     | 4     |
| CoABS/CoRND  | Absolute value/Round accumulator    | 4     |
| CoMOV        | Data move                           | 4     |
| CoNEG/NOP    | Negate accumulator/Null operation   | 4     |

SKYTECH

تهیه و توزیع قطعات الکترونیک

## 4 Electrical Parameters

### 4.1 General Parameters

**Table 9 Absolute Maximum Ratings**

| Parameter   | Symbol    | Limit Values |                 | Unit | Notes      |
|---|-----------|--------------|-----------------|------|------------|
|   |           | Min.         | Max.            |      |            |
| Storage temperature   | $T_{ST}$  | -65          | 150             | °C   | 1)         |
| Junction temperature  | $T_J$     | -40          | 150             | °C   | under bias |
| Voltage on $V_{DDI}$ pins with respect to ground ( $V_{SS}$ ) | $V_{DDI}$ | -0.5         | 3.25            | V    | –          |
| Voltage on $V_{DDP}$ pins with respect to ground ( $V_{SS}$ ) | $V_{DDP}$ | -0.5         | 6.2             | V    | –          |
| Voltage on any pin with respect to ground ( $V_{SS}$ )        | $V_{IN}$  | -0.5         | $V_{DDP} + 0.5$ | V    | 2)         |
| Input current on any pin during overload condition            | –         | -10          | 10              | mA   | –          |
| Absolute sum of all input currents during overload condition  | –         | –            | 100             | mA   | –          |

1) Moisture Sensitivity Level (MSL) 3, conforming to Jecdec J-STD-020C for 260 °C for PG-TQFP-100-5, and 240 °C for P-TQFP-100-16.

2) Input pin XTAL1 belongs to the core voltage domain. Therefore, input voltages must be within the range defined for  $V_{DDI}$ .

**Note:** Stresses above those listed under “Absolute Maximum Ratings” may cause permanent damage to the device. This is a stress rating only and functional operation of the device at these or any other conditions above those indicated in the operational sections of this specification is not implied. Exposure to absolute maximum rating conditions for extended periods may affect device reliability. During absolute maximum rating overload conditions ( $V_{IN} > V_{DDP}$  or  $V_{IN} < V_{SS}$ ) the voltage on  $V_{DDP}$  pins with respect to ground ( $V_{SS}$ ) must not exceed the values defined by the absolute maximum ratings.

**Operating Conditions**

The following operating conditions must not be exceeded to ensure correct operation of the XC164CS. All parameters specified in the following sections refer to these operating conditions, unless otherwise noticed.

**Table 10 Operating Condition Parameters**

| Parameter   | Symbol            | Limit Values |                      | Unit | Notes   |
|---|-------------------|--------------|----------------------|------|---|
|   |                   | Min.         | Max.                 |      |   |
| Digital supply voltage for the core                                 | $V_{DDI}$         | 2.35         | 2.7                  | V    | Active mode, $f_{CPU} = f_{CPUmax}$ <sup>1)2)</sup> |
| Digital supply voltage for IO pads                                  | $V_{DDP}$         | 4.4          | 5.5                  | V    | Active mode <sup>2)3)</sup>                         |
| Supply Voltage Difference   | $\Delta V_{DD}$   | -0.5         | –                    | V    | $V_{DDP} - V_{DDI}$ <sup>4)</sup>                   |
| Digital ground voltage  | $V_{SS}$          | 0            |                      | V    | Reference voltage                                   |
| Overload current  | $I_{OV}$          | -5           | 5                    | mA   | Per IO pin <sup>5)6)</sup>                          |
|   |                   | -2           | 5                    | mA   | Per analog input pin <sup>5)6)</sup>                |
| Overload current coupling factor for analog inputs <sup>7)</sup>    | $K_{OVA}$         | –            | $1.0 \times 10^{-4}$ | –    | $I_{OV} > 0$  |
|   |                   | –            | $1.5 \times 10^{-3}$ | –    | $I_{OV} < 0$  |
| Overload current coupling factor for digital I/O pins <sup>7)</sup> | $K_{OVD}$         | –            | $5.0 \times 10^{-3}$ | –    | $I_{OV} > 0$  |
|   |                   | –            | $1.0 \times 10^{-2}$ | –    | $I_{OV} < 0$  |
| Absolute sum of overload currents                                   | $\Sigma  I_{OV} $ | –            | 50                   | mA   | <sup>6)</sup>                                       |
| External Load Capacitance   | $C_L$             | –            | 50                   | pF   | Pin drivers in <b>default</b> mode <sup>8)</sup>    |
| Ambient temperature   | $T_A$             | 0            | 70                   | °C   | SAB-XC164...  |
|   |                   | -40          | 85                   | °C   | SAF-XC164...  |
|   |                   | -40          | 125                  | °C   | SAK-XC164...  |

1)  $f_{CPUmax} = 40$  MHz for devices marked ... 40F,  $f_{CPUmax} = 20$  MHz for devices marked ... 20F.

2) External circuitry must guarantee low-level at the RSTIN pin at least until both power supply voltages have reached the operating range.

3) The specified voltage range is allowed for operation. The range limits may be reached under extreme operating conditions. However, specified parameters, such as leakage currents, refer to the standard operating voltage range of  $V_{DDP} = 4.75$  V to 5.25 V.

4) This limitation must be fulfilled under all operating conditions including power-ramp-up, power-ramp-down, and power-save modes.



## Electrical Parameters

- 5) Overload conditions occur if the standard operating conditions are exceeded, i.e. the voltage on any pin exceeds the specified range:  $V_{OV} > V_{DDP} + 0.5 \text{ V}$  ( $I_{OV} > 0$ ) or  $V_{OV} < V_{SS} - 0.5 \text{ V}$  ( $I_{OV} < 0$ ). The absolute sum of input overload currents on all pins may not exceed **50 mA**. The supply voltages must remain within the specified limits.  
Proper operation is not guaranteed if overload conditions occur on functional pins such as XTAL1,  $\overline{\text{RD}}$ ,  $\overline{\text{WR}}$ , etc.
- 6) Not subject to production test - verified by design/characterization.
- 7) An overload current ( $I_{OV}$ ) through a pin injects a certain error current ( $I_{INJ}$ ) into the adjacent pins. This error current adds to the respective pin's leakage current ( $I_{OZ}$ ). The amount of error current depends on the overload current and is defined by the overload coupling factor  $K_{OV}$ . The polarity of the injected error current is inverse compared to the polarity of the overload current that produces it.  
The total current through a pin is  $|I_{TOT}| = |I_{OZ}| + (|I_{OV}| \times K_{OV})$ . The additional error current may distort the input voltage on analog inputs.
- 8) The timing is valid for pin drivers operating in default current mode (selected after reset). Reducing the output current may lead to increased delays or reduced driving capability ( $C_L$ ).

### Parameter Interpretation

The parameters listed in the following partly represent the characteristics of the XC164CS and partly its demands on the system. To aid in interpreting the parameters right, when evaluating them for a design, they are marked in column "Symbol":

#### **CC (Controller Characteristics):**

The logic of the XC164CS will provide signals with the respective characteristics.

#### **SR (System Requirement):**

The external system must provide signals with the respective characteristics to the XC164CS.

**SKYTECH**

تهیه و توزیع قطعات الکترونیک

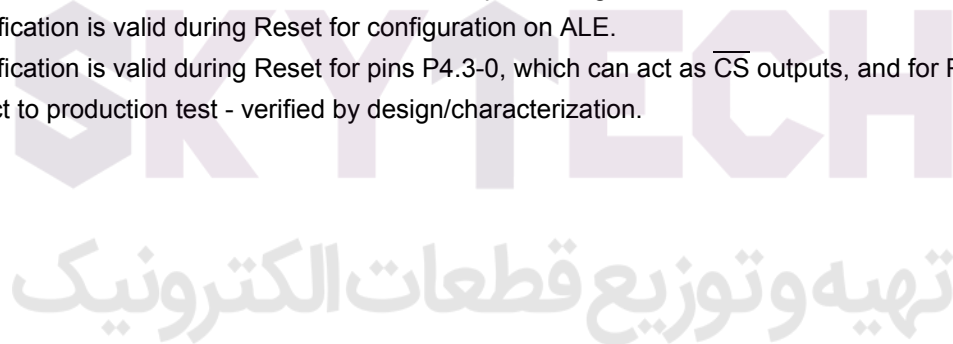
**Electrical Parameters**
**4.2 DC Parameters**
**Table 11 DC Characteristics (Operating Conditions apply)<sup>1)</sup>**

| Parameter  | Symbol                    |    | Limit Values               |                            | Unit          | Test Condition  |
|--|---------------------------|----|----------------------------|----------------------------|---------------|---|
|  |                           |    | Min.                       | Max.                       |               |   |
| Input low voltage TTL (all except XTAL1)         | $V_{IL}$                  | SR | -0.5                       | $0.2 \times V_{DDP} - 0.1$ | V             | –   |
| Input low voltage XTAL1 <sup>2)</sup>            | $V_{ILC}$                 | SR | -0.5                       | $0.3 \times V_{DDI}$       | V             | –   |
| Input low voltage (Special Threshold)            | $V_{ILS}$                 | SR | -0.5                       | $0.45 \times V_{DDP}$      | V             | <sup>3)</sup>   |
| Input high voltage TTL (all except XTAL1)        | $V_{IH}$                  | SR | $0.2 \times V_{DDP} + 0.9$ | $V_{DDP} + 0.5$            | V             | –   |
| Input high voltage XTAL1 <sup>2)</sup>           | $V_{IHC}$                 | SR | $0.7 \times V_{DDI}$       | $V_{DDI} + 0.5$            | V             | –   |
| Input high voltage (Special Threshold)           | $V_{IHS}$                 | SR | $0.8 \times V_{DDP} - 0.2$ | $V_{DDP} + 0.5$            | V             | <sup>3)</sup>   |
| Input Hysteresis (Special Threshold)             | HYS                       |    | $0.04 \times V_{DDP}$      | –                          | V             | $V_{DDP}$ in [V], Series resistance = $0 \Omega$ <sup>3)</sup>                    |
| Output low voltage                               | $V_{OL}$                  | CC | –                          | 1.0                        | V             | $I_{OL} \leq I_{OLmax}$ <sup>4)</sup>   |
|  |                           |    | –                          | 0.45                       | V             | $I_{OL} \leq I_{OLnom}$ <sup>4)5)</sup>   |
| Output high voltage <sup>6)</sup>                | $V_{OH}$                  | CC | $V_{DDP} - 1.0$            | –                          | V             | $I_{OH} \geq I_{OHmax}$ <sup>4)</sup>   |
|  |                           |    | $V_{DDP} - 0.45$           | –                          | V             | $I_{OH} \geq I_{OHnom}$ <sup>4)5)</sup>   |
| Input leakage current (Port 5) <sup>7)</sup>     | $I_{OZ1}$                 | CC | –                          | $\pm 300$                  | nA            | $0 V < V_{IN} < V_{DDP}$ ,<br>$T_A \leq 125 \text{ }^\circ\text{C}$               |
|  |                           |    | –                          | $\pm 200$                  | nA            | $0 V < V_{IN} < V_{DDP}$ ,<br>$T_A \leq 85 \text{ }^\circ\text{C}$ <sup>14)</sup> |
| Input leakage current (all other <sup>8)7)</sup> | $I_{OZ2}$                 | CC | –                          | $\pm 500$                  | nA            | $0.45 V < V_{IN} < V_{DDP}$   |
| Configuration pull-up current <sup>9)</sup>      | $I_{CPUH}$ <sup>10)</sup> |    | –                          | -10                        | $\mu\text{A}$ | $V_{IN} = V_{IHmin}$  |
|  | $I_{CPUL}$ <sup>11)</sup> |    | -100                       | –                          | $\mu\text{A}$ | $V_{IN} = V_{ILmax}$  |
| Configuration pull-down current <sup>12)</sup>   | $I_{CPDL}$ <sup>10)</sup> |    | –                          | 10                         | $\mu\text{A}$ | $V_{IN} = V_{ILmax}$  |
|  | $I_{CPDH}$ <sup>11)</sup> |    | 120                        | –                          | $\mu\text{A}$ | $V_{IN} = V_{IHmin}$  |

**Electrical Parameters**
**Table 11 DC Characteristics (Operating Conditions apply)<sup>1)</sup> (cont'd)**

| Parameter  | Symbol          | Limit Values |      | Unit | Test Condition                 |
|--|-----------------|--------------|------|------|--------------------------------|
|  |                 | Min.         | Max. |      |                                |
| Level inactive hold current <sup>13)</sup>                 | $I_{LHI}^{10)}$ | –            | -10  | μA   | $V_{OUT} = 0.5 \times V_{DDP}$ |
| Level active hold current <sup>13)</sup>                   | $I_{LHA}^{11)}$ | -100         | –    | μA   | $V_{OUT} = 0.45 V$             |
| XTAL1 input current  | $I_{IL}$ CC     | –            | ±20  | μA   | $0 V < V_{IN} < V_{DDI}$       |
| Pin capacitance <sup>14)</sup><br>(digital inputs/outputs) | $C_{IO}$ CC     | –            | 10   | pF   | –                              |

- 1) Keeping signal levels within the limits specified in this table, ensures operation without overload conditions. For signal levels outside these specifications, also refer to the specification of the overload current  $I_{OV}$ .
- 2) If XTAL1 is driven by a crystal, reaching an amplitude (peak to peak) of  $0.4 \times V_{DDI}$  is sufficient.
- 3) This parameter is tested for P3, P4, P9.
- 4) The maximum deliverable output current of a port driver depends on the selected output driver mode, see [Table 12, Current Limits for Port Output Drivers](#). The limit for pin groups must be respected.
- 5) As a rule, with decreasing output current the output levels approach the respective supply level ( $V_{OL} \rightarrow V_{SS}$ ,  $V_{OH} \rightarrow V_{DDP}$ ). However, only the levels for nominal output currents are guaranteed.
- 6) This specification is not valid for outputs which are switched to open drain mode. In this case the respective output will float and the voltage results from the external circuitry.
- 7) An additional error current ( $I_{INJ}$ ) will flow if an overload current flows through an adjacent pin. Please refer to the definition of the overload coupling factor  $K_{OV}$ .
- 8) The driver of P3.15 is designed for faster switching, because this pin can deliver the reference clock for the bus interface (CLKOUT). The maximum leakage current for P3.15 is, therefore, increased to 1 μA.
- 9) This specification is valid during Reset for configuration on  $\overline{RD}$ ,  $\overline{WR}$ ,  $\overline{EA}$ , PORT0
- 10) The maximum current may be drawn while the respective signal line remains inactive.
- 11) The minimum current must be drawn to drive the respective signal line active.
- 12) This specification is valid during Reset for configuration on ALE.
- 13) This specification is valid during Reset for pins P4.3-0, which can act as  $\overline{CS}$  outputs, and for P3.12.
- 14) Not subject to production test - verified by design/characterization.


  
 تهیه و توزیع قطعات الکترونیک

**Table 12 Current Limits for Port Output Drivers**

| Port Output Driver Mode | Maximum Output Current ( $I_{OLmax}$ , $-I_{OHmax}$ ) <sup>1)</sup> | Nominal Output Current ( $I_{OLnom}$ , $-I_{OHnom}$ ) |
|-------------------------|---|---|
| <b>Strong driver</b>    | 10 mA   | 2.5 mA  |
| <b>Medium driver</b>    | 4.0 mA  | 1.0 mA  |
| <b>Weak driver</b>      | 0.5 mA  | 0.1 mA  |

- 1) An output current above  $|I_{OXnom}|$  may be drawn from up to three pins at the same time. For any group of 16 neighboring port output pins the total output current in each direction ( $\Sigma I_{OL}$  and  $\Sigma I_{OH}$ ) must remain below 50 mA.

**Table 13 Power Consumption XC164CS (Operating Conditions apply)**

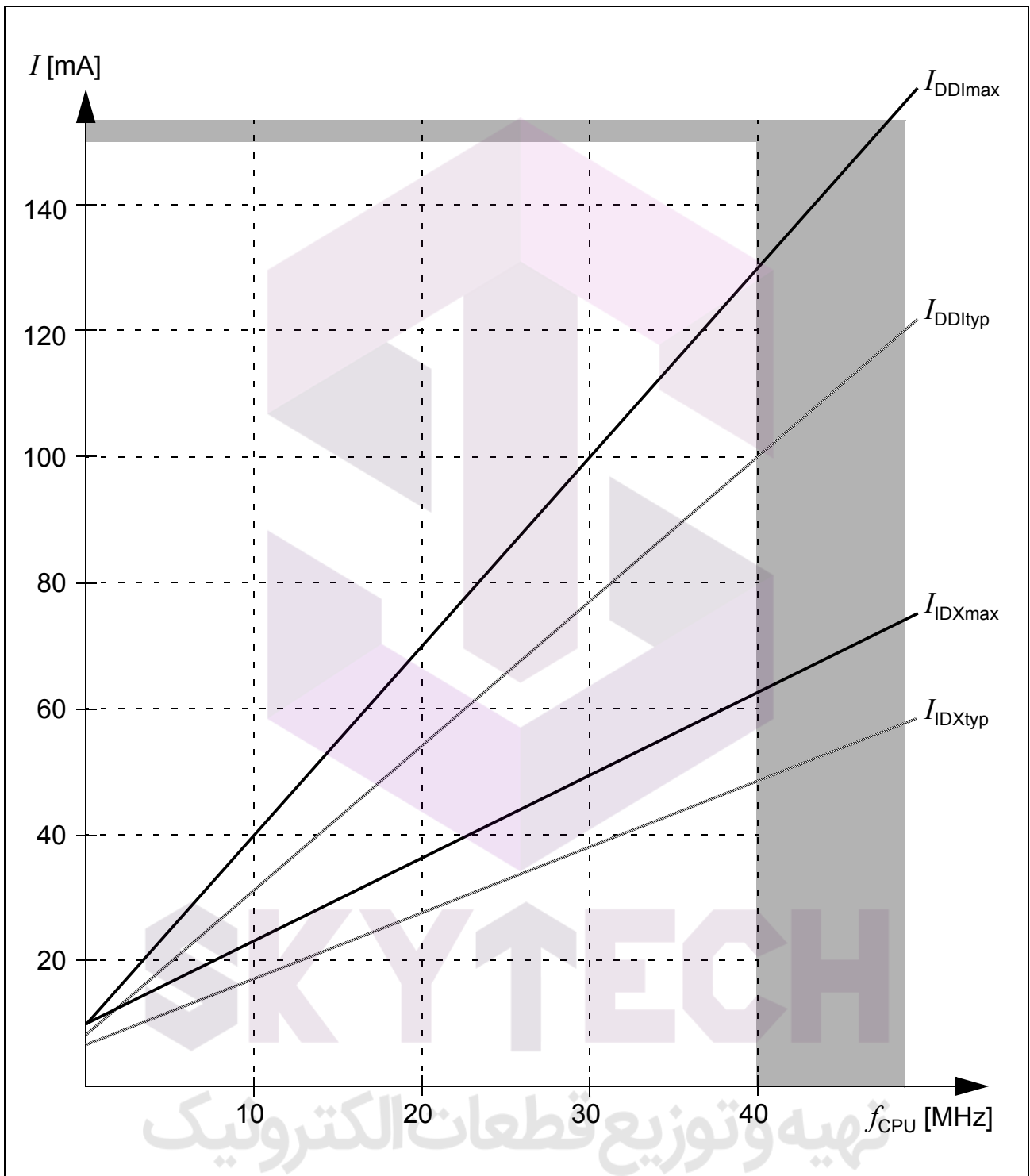
| Parameter  | Symbol                  | Limit Values |   | Unit | Test Condition   |
|--|-------------------------|--------------|---|------|--|
|  |                         | Min.         | Max.                                    |      |  |
| Power supply current (active) with all peripherals active  | $I_{DDI}$               | –            | 10 + $3.0 \times f_{CPU}$               | mA   | $f_{CPU}$ in [MHz] <sup>1)2)</sup>   |
| Pad supply current   | $I_{DDP}$               | –            | 5                                       | mA   | <sup>3)</sup>  |
| Idle mode supply current with all peripherals active   | $I_{IDX}$               | –            | 10 + $1.3 \times f_{CPU}$               | mA   | $f_{CPU}$ in [MHz] <sup>2)</sup>   |
| Sleep and Power down mode supply current caused by leakage <sup>4)</sup>   | $I_{PDL}$ <sup>5)</sup> | –            | 128,000 $\times e^{-\alpha}$            | mA   | $V_{DDI} = V_{DDImax}$ <sup>6)</sup><br>$T_J$ in [°C]<br>$\alpha = 4670 / (273 + T_J)$ |
| Sleep and Power down mode supply current caused by leakage and the RTC running, clocked by the main oscillator <sup>4)</sup> | $I_{PDM}$ <sup>7)</sup> | –            | 0.6 + $0.02 \times f_{OSC}$ + $I_{PDL}$ | mA   | $V_{DDI} = V_{DDImax}$<br>$f_{OSC}$ in [MHz]   |

- 1) During Flash programming or erase operations the supply current is increased by max. 5 mA.  
2) The supply current is a function of the operating frequency. This dependency is illustrated in [Figure 11](#). These parameters are tested at  $V_{DDImax}$  and maximum CPU clock frequency with all outputs disconnected and all inputs at  $V_{IL}$  or  $V_{IH}$ .  
3) The pad supply voltage pins ( $V_{DDP}$ ) mainly provides the current consumed by the pin output drivers. A small amount of current is consumed even though no outputs are driven, because the drivers' input stages are switched and also the Flash module draws some power from the  $V_{DDP}$  supply.  
4) The total supply current in Sleep and Power down mode is the sum of the temperature dependent leakage current and the frequency dependent current for RTC and main oscillator (if active).  
5) This parameter is determined mainly by the transistor leakage currents. This current heavily depends on the junction temperature (see [Figure 13](#)). The junction temperature  $T_J$  is the same as the ambient temperature  $T_A$  if no current flows through the port output drivers. Otherwise, the resulting temperature difference must be taken into account.

## Electrical Parameters

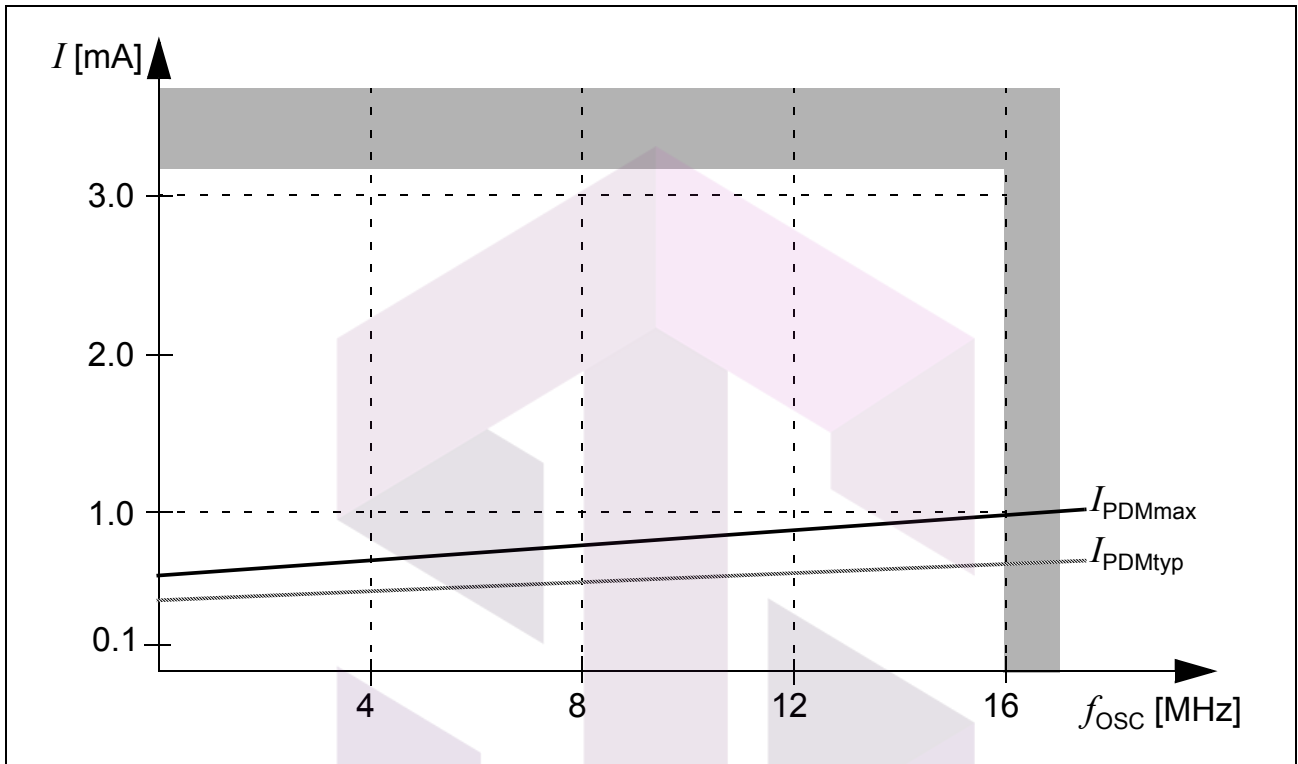
- 6) All inputs (including pins configured as inputs) at 0 V to 0.1 V or at  $V_{DDP} - 0.1$  V to  $V_{DDP}$ , all outputs (including pins configured as outputs) disconnected. This parameter is tested at 25 °C and is valid for  $T_J \geq 25$  °C.
- 7) This parameter is determined mainly by the current consumed by the oscillator switched to low gain mode (see [Figure 12](#)). This current, however, is influenced by the external oscillator circuitry (crystal, capacitors). The given values refer to a typical circuitry and may change in case of a not optimized external oscillator circuitry.



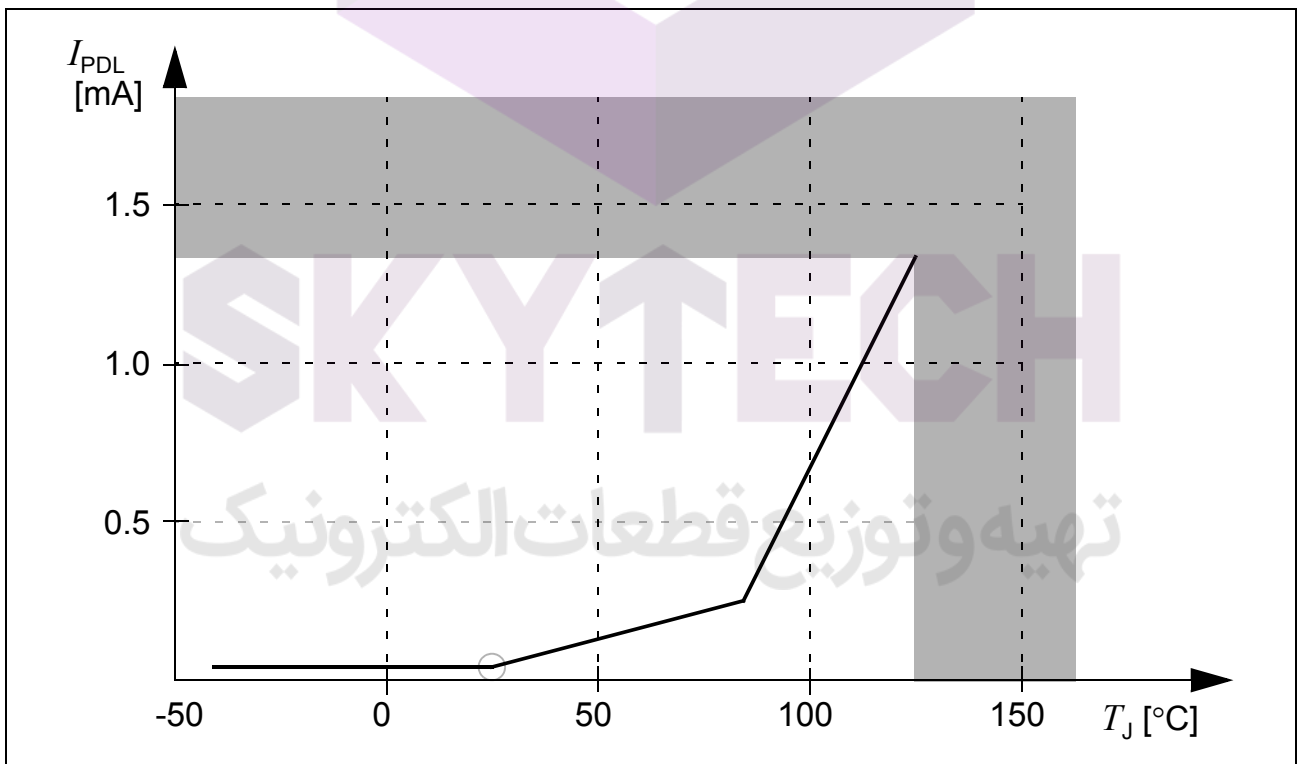


**Figure 11 Supply/Idle Current as a Function of Operating Frequency**





**Figure 12** Sleep and Power Down Supply Current due to RTC and Oscillator Running, as a Function of Oscillator Frequency



**Figure 13** Sleep and Power Down Leakage Supply Current as a Function of Temperature

**4.3 Analog/Digital Converter Parameters**
**Table 14 A/D Converter Characteristics (Operating Conditions apply)**

| Parameter                                       | Symbol      |    | Limit Values                                |                 | Unit       | Test Condition   |
|---|-------------|----|---|-----------------|------------|------------------|
|   |             |    | Min.  | Max.            |            |                  |
| Analog reference supply                         | $V_{AREF}$  | SR | 4.5   | $V_{DDP} + 0.1$ | V          | 1)               |
| Analog reference ground                         | $V_{AGND}$  | SR | $V_{SS} - 0.1$                              | $V_{SS} + 0.1$  | V          | –                |
| Analog input voltage range                      | $V_{AIN}$   | SR | $V_{AGND}$                                  | $V_{AREF}$      | V          | 2)               |
| Basic clock frequency                           | $f_{BC}$    |    | 0.5   | 20              | MHz        | 3)               |
| Conversion time for 10-bit result <sup>4)</sup> | $t_{C10P}$  | CC | $52 \times t_{BC} + t_S + 6 \times t_{SYS}$ |                 | –          | Post-calibr. on  |
|   | $t_{C10}$   | CC | $40 \times t_{BC} + t_S + 6 \times t_{SYS}$ |                 | –          | Post-calibr. off |
| Conversion time for 8-bit result <sup>4)</sup>  | $t_{C8P}$   | CC | $44 \times t_{BC} + t_S + 6 \times t_{SYS}$ |                 | –          | Post-calibr. on  |
|   | $t_{C8}$    | CC | $32 \times t_{BC} + t_S + 6 \times t_{SYS}$ |                 | –          | Post-calibr. off |
| Calibration time after reset                    | $t_{CAL}$   | CC | 484   | 11,696          | $t_{BC}$   | 5)               |
| Total unadjusted error                          | TUE         | CC | –   | $\pm 2$         | LSB        | 1)               |
| Total capacitance of an analog input            | $C_{AINT}$  | CC | –   | 15              | pF         | 6)               |
| Switched capacitance of an analog input         | $C_{AINS}$  | CC | –   | 10              | pF         | 6)               |
| Resistance of the analog input path             | $R_{AIN}$   | CC | –   | 2               | k $\Omega$ | 6)               |
| Total capacitance of the reference input        | $C_{AREFT}$ | CC | –   | 20              | pF         | 6)               |
| Switched capacitance of the reference input     | $C_{AREFS}$ | CC | –   | 15              | pF         | 6)               |
| Resistance of the reference input path          | $R_{AREF}$  | CC | –   | 1               | k $\Omega$ | 6)               |

1) TUE is tested at  $V_{AREF} = V_{DDP} + 0.1$  V,  $V_{AGND} = 0$  V. It is verified by design for all other voltages within the defined voltage range.

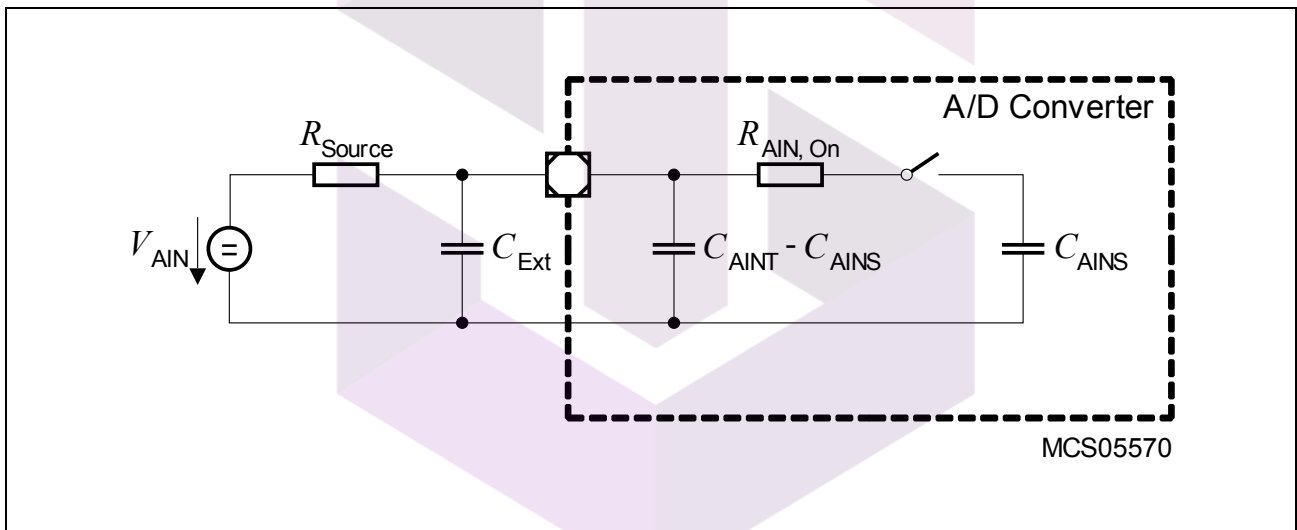
If the analog reference supply voltage drops below 4.5 V (i.e.  $V_{AREF} \geq 4.0$  V) or exceeds the power supply voltage by up to 0.2 V (i.e.  $V_{AREF} = V_{DDP} + 0.2$  V) the maximum TUE is increased to  $\pm 3$  LSB. This range is not subject to production test.

The specified TUE is guaranteed only, if the absolute sum of input overload currents on Port 5 pins (see  $I_{OV}$  specification) does not exceed 10 mA, and if  $V_{AREF}$  and  $V_{AGND}$  remain stable during the respective period of time. During the reset calibration sequence the maximum TUE may be  $\pm 4$  LSB.

2)  $V_{AIN}$  may exceed  $V_{AGND}$  or  $V_{AREF}$  up to the absolute maximum ratings. However, the conversion result in these cases will be X000<sub>H</sub> or X3FF<sub>H</sub>, respectively.

**Electrical Parameters**

- 3) The limit values for  $f_{BC}$  must not be exceeded when selecting the peripheral frequency and the ADCTC setting.
- 4) This parameter includes the sample time  $t_S$ , the time for determining the digital result and the time to load the result register with the conversion result ( $t_{SYS} = 1/f_{SYS}$ ).  
Values for the basic clock  $t_{BC}$  depend on programming and can be taken from **Table 15**.  
When the post-calibration is switched off, the conversion time is reduced by  $12 \times t_{BC}$ .
- 5) The actual duration of the reset calibration depends on the noise on the reference signal. Conversions executed during the reset calibration increase the calibration time. The TUE for those conversions may be increased.
- 6) Not subject to production test - verified by design/characterization.  
The given parameter values cover the complete operating range. Under relaxed operating conditions (temperature, supply voltage) reduced values can be used for calculations. At room temperature and nominal supply voltage the following typical values can be used:  
 $C_{AINTtyp} = 12 \text{ pF}$ ,  $C_{AINStyp} = 7 \text{ pF}$ ,  $R_{AINTyp} = 1.5 \text{ k}\Omega$ ,  $C_{AREFTtyp} = 15 \text{ pF}$ ,  $C_{AREFStyp} = 13 \text{ pF}$ ,  $R_{AREFTyp} = 0.7 \text{ k}\Omega$ .



**Figure 14 Equivalent Circuitry for Analog Inputs**

**SKYTECH**

تهیه و توزیع قطعات الکترونیک

**Electrical Parameters**

Sample time and conversion time of the XC164CS's A/D Converter are programmable. In compatibility mode, the above timing can be calculated using [Table 15](#). The limit values for  $f_{BC}$  must not be exceeded when selecting ADCTC.

**Table 15 A/D Converter Computation Table<sup>1)</sup>**

| ADCON.15 14<br>(ADCTC) | A/D Converter<br>Basic Clock $f_{BC}$ | ADCON.13 12<br>(ADSTC) | Sample Time<br>$t_s$ |
|------------------------|---------------------------------------|------------------------|----------------------|
| 00                     | $f_{SYS} / 4$                         | 00                     | $t_{BC} \times 8$    |
| 01                     | $f_{SYS} / 2$                         | 01                     | $t_{BC} \times 16$   |
| 10                     | $f_{SYS} / 16$                        | 10                     | $t_{BC} \times 32$   |
| 11                     | $f_{SYS} / 8$                         | 11                     | $t_{BC} \times 64$   |

1) These selections are available in compatibility mode. An improved mechanism to control the ADC input clock can be selected.

**Converter Timing Example:**

Assumptions:  $f_{SYS} = 40$  MHz (i.e.  $t_{SYS} = 25$  ns), ADCTC = '01', ADSTC = '00'

Basic clock  $f_{BC} = f_{SYS} / 2 = 20$  MHz, i.e.  $t_{BC} = 50$  ns

Sample time  $t_s = t_{BC} \times 8 = 400$  ns

Conversion 10-bit:

With post-calibr.  $t_{C10P} = 52 \times t_{BC} + t_s + 6 \times t_{SYS} = (2600 + 400 + 150)$  ns = 3.15  $\mu$ s

Post-calibr. off  $t_{C10} = 40 \times t_{BC} + t_s + 6 \times t_{SYS} = (2000 + 400 + 150)$  ns = 2.55  $\mu$ s

Conversion 8-bit:

With post-calibr.  $t_{C8P} = 44 \times t_{BC} + t_s + 6 \times t_{SYS} = (2200 + 400 + 150)$  ns = 2.75  $\mu$ s

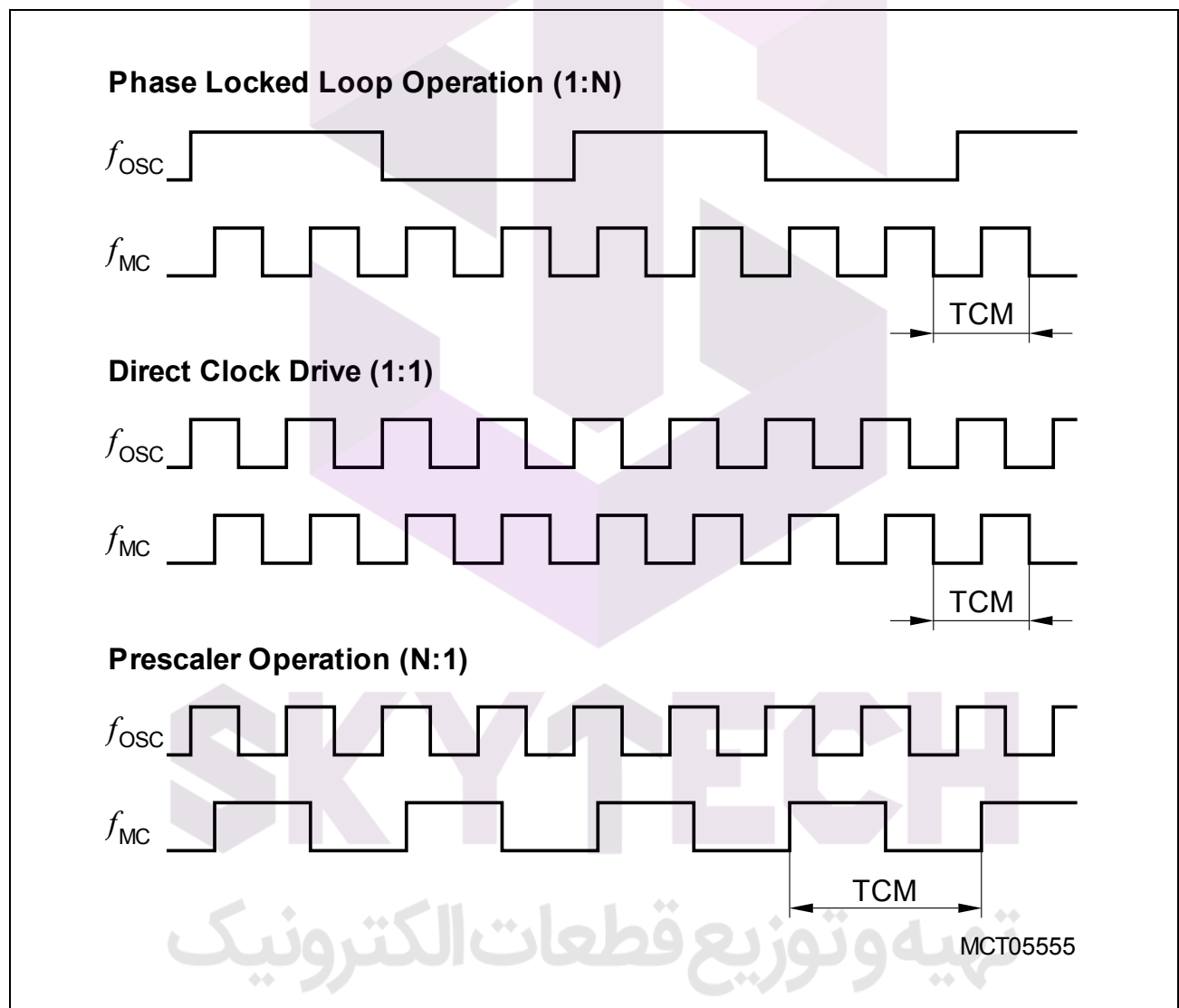
Post-calibr. off  $t_{C8} = 32 \times t_{BC} + t_s + 6 \times t_{SYS} = (1600 + 400 + 150)$  ns = 2.15  $\mu$ s

تهیه و توزیع قطعات الکترونیک

## 4.4 AC Parameters

### 4.4.1 Definition of Internal Timing

The internal operation of the XC164CS is controlled by the internal master clock  $f_{MC}$ . The master clock signal  $f_{MC}$  can be generated from the oscillator clock signal  $f_{OSC}$  via different mechanisms. The duration of master clock periods (TCMs) and their variation (and also the derived external timing) depend on the used mechanism to generate  $f_{MC}$ . This influence must be regarded when calculating the timings for the XC164CS.



**Figure 15 Generation Mechanisms for the Master Clock**

*Note: The example for PLL operation shown in [Figure 15](#) refers to a PLL factor of 1:4, the example for prescaler operation refers to a divider factor of 2:1.*

The used mechanism to generate the master clock is selected by register PLLCON.

**Electrical Parameters**

CPU and EBC are clocked with the CPU clock signal  $f_{CPU}$ . The CPU clock can have the same frequency as the master clock ( $f_{CPU} = f_{MC}$ ) or can be the master clock divided by two:  $f_{CPU} = f_{MC} / 2$ . This factor is selected by bit CPSYS in register SYSCON1.

The specification of the external timing (AC Characteristics) depends on the period of the CPU clock, called "TCP".

The other peripherals are supplied with the system clock signal  $f_{SYS}$  which has the same frequency as the CPU clock signal  $f_{CPU}$ .

**Bypass Operation**

When bypass operation is configured (PLLCTRL = 0x<sub>B</sub>) the master clock is derived from the internal oscillator (input clock signal XTAL1) through the input- and output-prescalers:

$$f_{MC} = f_{OSC} / ((PLLIDIV+1) \times (PLLODIV+1)).$$

If both divider factors are selected as '1' (PLLIDIV = PLLODIV = '0') the frequency of  $f_{MC}$  directly follows the frequency of  $f_{OSC}$  so the high and low time of  $f_{MC}$  is defined by the duty cycle of the input clock  $f_{OSC}$ .

The lowest master clock frequency is achieved by selecting the maximum values for both divider factors:

$$f_{MC} = f_{OSC} / ((3 + 1) \times (14 + 1)) = f_{OSC} / 60.$$

**Phase Locked Loop (PLL)**

When PLL operation is configured (PLLCTRL = 11<sub>B</sub>) the on-chip phase locked loop is enabled and provides the master clock. The PLL multiplies the input frequency by the factor **F** ( $f_{MC} = f_{OSC} \times \mathbf{F}$ ) which results from the input divider, the multiplication factor, and the output divider ( $\mathbf{F} = PLLMUL+1 / (PLLIDIV+1 \times PLLODIV+1)$ ). The PLL circuit synchronizes the master clock to the input clock. This synchronization is done smoothly, i.e. the master clock frequency does not change abruptly.

Due to this adaptation to the input clock the frequency of  $f_{MC}$  is constantly adjusted so it is locked to  $f_{OSC}$ . The slight variation causes a jitter of  $f_{MC}$  which also affects the duration of individual TCMS.

The timing listed in the AC Characteristics refers to TCPs. Because  $f_{CPU}$  is derived from  $f_{MC}$ , the timing must be calculated using the minimum TCP possible under the respective circumstances.

The actual minimum value for TCP depends on the jitter of the PLL. As the PLL is constantly adjusting its output frequency so it corresponds to the applied input frequency (crystal or oscillator) the relative deviation for periods of more than one TCP is lower than for one single TCP (see formula and [Figure 16](#)).

This is especially important for bus cycles using waitstates and e.g. for the operation of timers, serial interfaces, etc. For all slower operations and longer periods (e.g. pulse train

**Electrical Parameters**

generation or measurement, lower baudrates, etc.) the deviation caused by the PLL jitter is negligible.

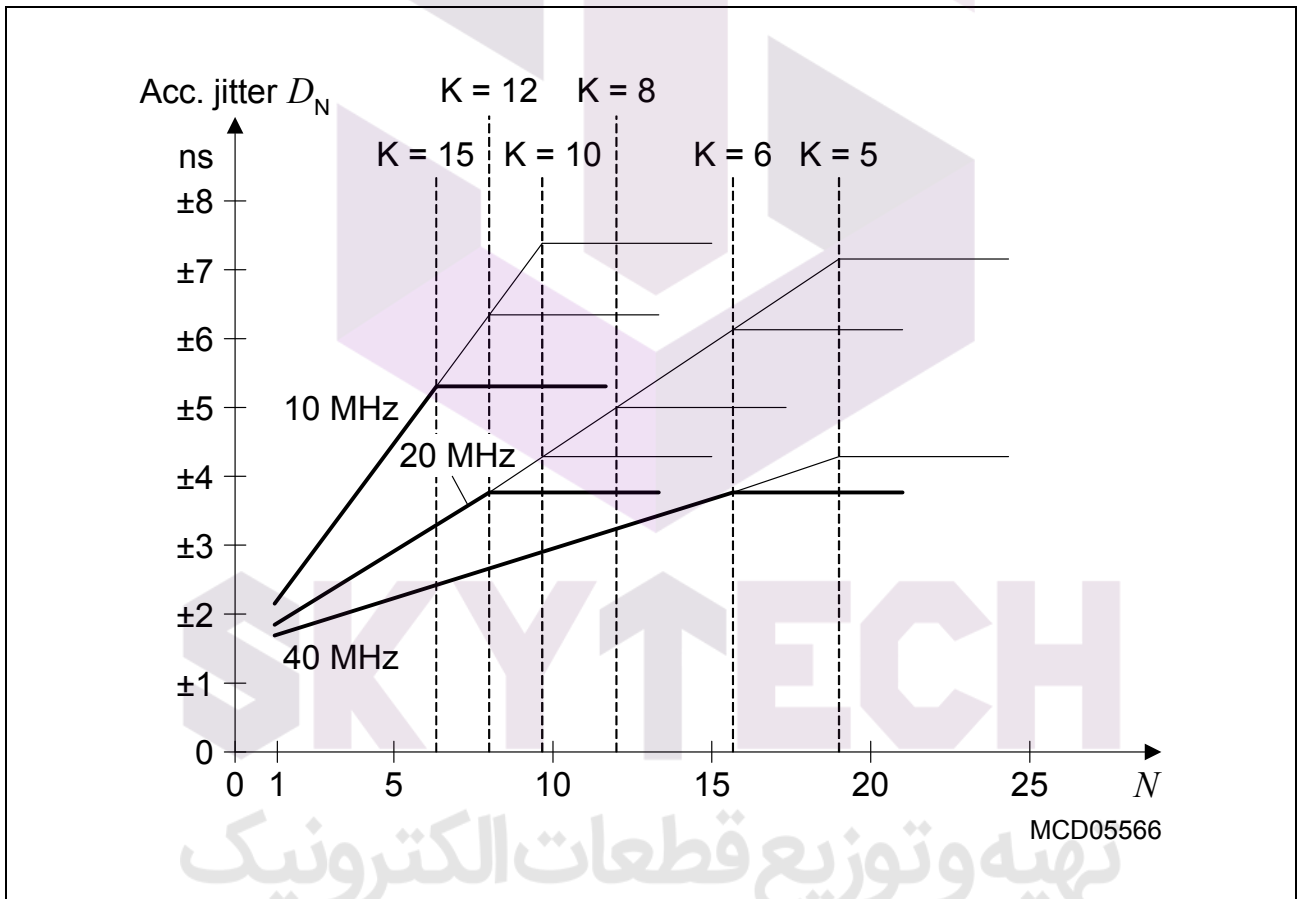
The value of the accumulated PLL jitter depends on the number of consecutive VCO output cycles within the respective timeframe. The VCO output clock is divided by the output prescaler ( $K = PLLDIV+1$ ) to generate the master clock signal  $f_{MC}$ . Therefore, the number of VCO cycles can be represented as  $K \times N$ , where  $N$  is the number of consecutive  $f_{MC}$  cycles (TCM).

For a period of  $N \times TCM$  the accumulated PLL jitter is defined by the deviation  $D_N$ :

$$D_N [\text{ns}] = \pm(1.5 + 6.32 \times N / f_{MC}); f_{MC} \text{ in [MHz]}, N = \text{number of consecutive TCMs.}$$

So, for a period of 3 TCMs @ 20 MHz and  $K = 12$ :  $D_3 = \pm(1.5 + 6.32 \times 3 / 20) = 2.448 \text{ ns}$ .

This formula is applicable for  $K \times N < 95$ . For longer periods the  $K \times N = 95$  value can be used. This steady value can be approximated by:  $D_{N_{\max}} [\text{ns}] = \pm(1.5 + 600 / (K \times f_{MC}))$ .



**Figure 16 Approximated Accumulated PLL Jitter**

*Note: The bold lines indicate the minimum accumulated jitter which can be achieved by selecting the maximum possible output prescaler factor K.*

Different frequency bands can be selected for the VCO, so the operation of the PLL can be adjusted to a wide range of input and output frequencies:



**Table 16 VCO Bands for PLL Operation<sup>1)</sup>**

| PLLCON.PLLVB | VCO Frequency Range | Base Frequency Range |
|--------------|---------------------|----------------------|
| 00           | 100 ... 150 MHz     | 20 ... 80 MHz        |
| 01           | 150 ... 200 MHz     | 40 ... 130 MHz       |
| 10           | 200 ... 250 MHz     | 60 ... 180 MHz       |
| 11           | Reserved            |                      |

1) Not subject to production test - verified by design/characterization.



تهیه و توزیع قطعات الکترونیک

#### 4.4.2 On-chip Flash Operation

The XC164CS's Flash module delivers data within a fixed access time (see [Table 17](#)). Accesses to the Flash module are controlled by the PMI and take 1 + WS clock cycles, where WS is the number of Flash access waitstates selected via bitfield WSFLASH in register IMBCTRL. The resulting duration of the access phase must cover the access time  $t_{ACC}$  of the Flash array. Therefore, the required Flash waitstates depend on the available speed grade as well as on the actual system frequency.

*Note: The Flash access waitstates only affect non-sequential accesses. Due to prefetching mechanisms, the performance for sequential accesses (depending on the software structure) is only partially influenced by waitstates.*

*In typical applications, eliminating one waitstate increases the average performance by 5% ... 15%.*

**Table 17 Flash Characteristics** (Operating Conditions apply)

| Parameter                           | Symbol       | Limit Values |                   |                  | Unit |
|-------------------------------------|--------------|--------------|-------------------|------------------|------|
|                                     |              | Min.         | Typ.              | Max.             |      |
| Flash module access time (Standard) | $t_{ACC}$ CC | –            | –                 | 70 <sup>1)</sup> | ns   |
| Flash module access time (Grade A)  | $t_{ACC}$ CC | –            | –                 | 50 <sup>1)</sup> | ns   |
| Programming time per 128-byte block | $t_{PR}$ CC  | –            | 2 <sup>2)</sup>   | 5                | ms   |
| Erase time per sector               | $t_{ER}$ CC  | –            | 200 <sup>2)</sup> | 500              | ms   |

1) The actual access time is also influenced by the system frequency, so the frequency ranges are not fully linear. See [Table 18](#).

2) Programming and erase time depends on the system frequency. Typical values are valid for 40 MHz.

Example: For an operating frequency of 40 MHz (clock cycle = 25 ns), Standard devices must be operated with 2 waitstates:  $((2 + 1) \times 25 \text{ ns}) \geq 70 \text{ ns}$ .

Grade A devices can be operated with 1 waitstate:  $((1 + 1) \times 25 \text{ ns}) \geq 50 \text{ ns}$ .

[Table 18](#) indicates the interrelation of waitstates, system frequency, and speed grade.

**Table 18 Flash Access Waitstates**

| Required Waitstates               | Frequency Range for Standard Flash Speed | Frequency Range for Flash Speed Grade A |
|-----------------------------------|--|---|
| 0 WS (WSFLASH = 00 <sub>B</sub> ) | $f_{CPU} \leq 16 \text{ MHz}$            | $f_{CPU} \leq 20 \text{ MHz}$           |
| 1 WS (WSFLASH = 01 <sub>B</sub> ) | $f_{CPU} \leq 28 \text{ MHz}$            | $f_{CPU} \leq 40 \text{ MHz}$           |
| 2 WS (WSFLASH = 10 <sub>B</sub> ) | $f_{CPU} \leq 40 \text{ MHz}$            | $f_{CPU} \leq 40 \text{ MHz}$           |

*Note: The maximum achievable system frequency is limited by the properties of the respective derivative, i.e. 40 MHz (or 20 MHz for xxx-32F20F devices).*

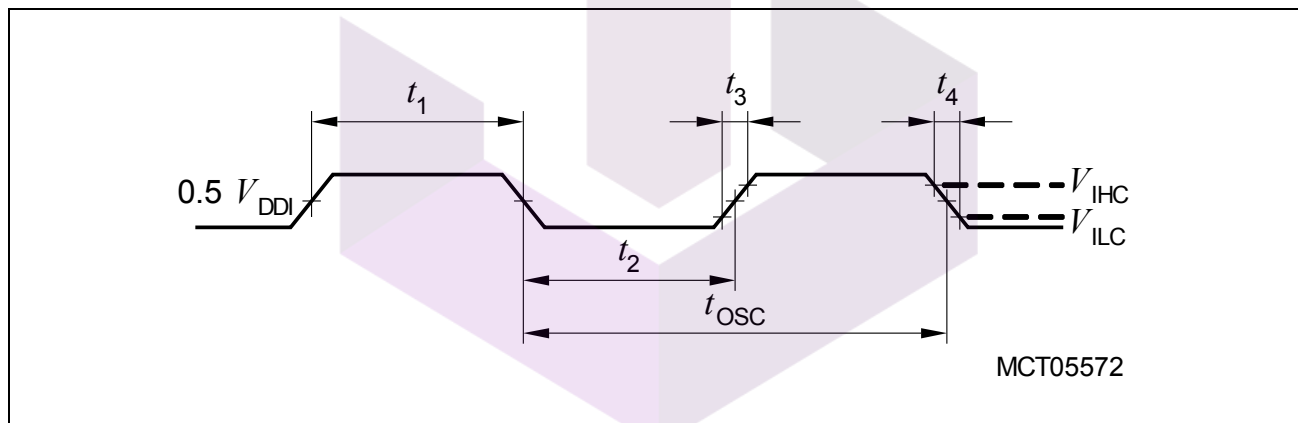
### 4.4.3 External Clock Drive XTAL1

**Table 19 External Clock Drive Characteristics** (Operating Conditions apply)

| Parameter               | Symbol    | SR | Limit Values |                   | Unit |
|-------------------------|-----------|----|--------------|-------------------|------|
|                         |           |    | Min.         | Max.              |      |
| Oscillator period       | $t_{OSC}$ | SR | 25           | 250 <sup>1)</sup> | ns   |
| High time <sup>2)</sup> | $t_1$     | SR | 6            | –                 | ns   |
| Low time <sup>2)</sup>  | $t_2$     | SR | 6            | –                 | ns   |
| Rise time <sup>2)</sup> | $t_3$     | SR | –            | 8                 | ns   |
| Fall time <sup>2)</sup> | $t_4$     | SR | –            | 8                 | ns   |

1) The maximum limit is only relevant for PLL operation to ensure the minimum input frequency for the PLL.

2) The clock input signal must reach the defined levels  $V_{ILC}$  and  $V_{IHC}$ .



**Figure 17 External Clock Drive XTAL1**

*Note: If the on-chip oscillator is used together with a crystal or a ceramic resonator, the oscillator frequency is limited to a range of 4 MHz to 16 MHz.*

*It is strongly recommended to measure the oscillation allowance (negative resistance) in the final target system (layout) to determine the optimum parameters for the oscillator operation. Please refer to the limits specified by the crystal supplier.*

*When driven by an external clock signal it will accept the specified frequency range. Operation at lower input frequencies is possible but is verified by design only (not subject to production test).*

#### 4.4.4 Testing Waveforms

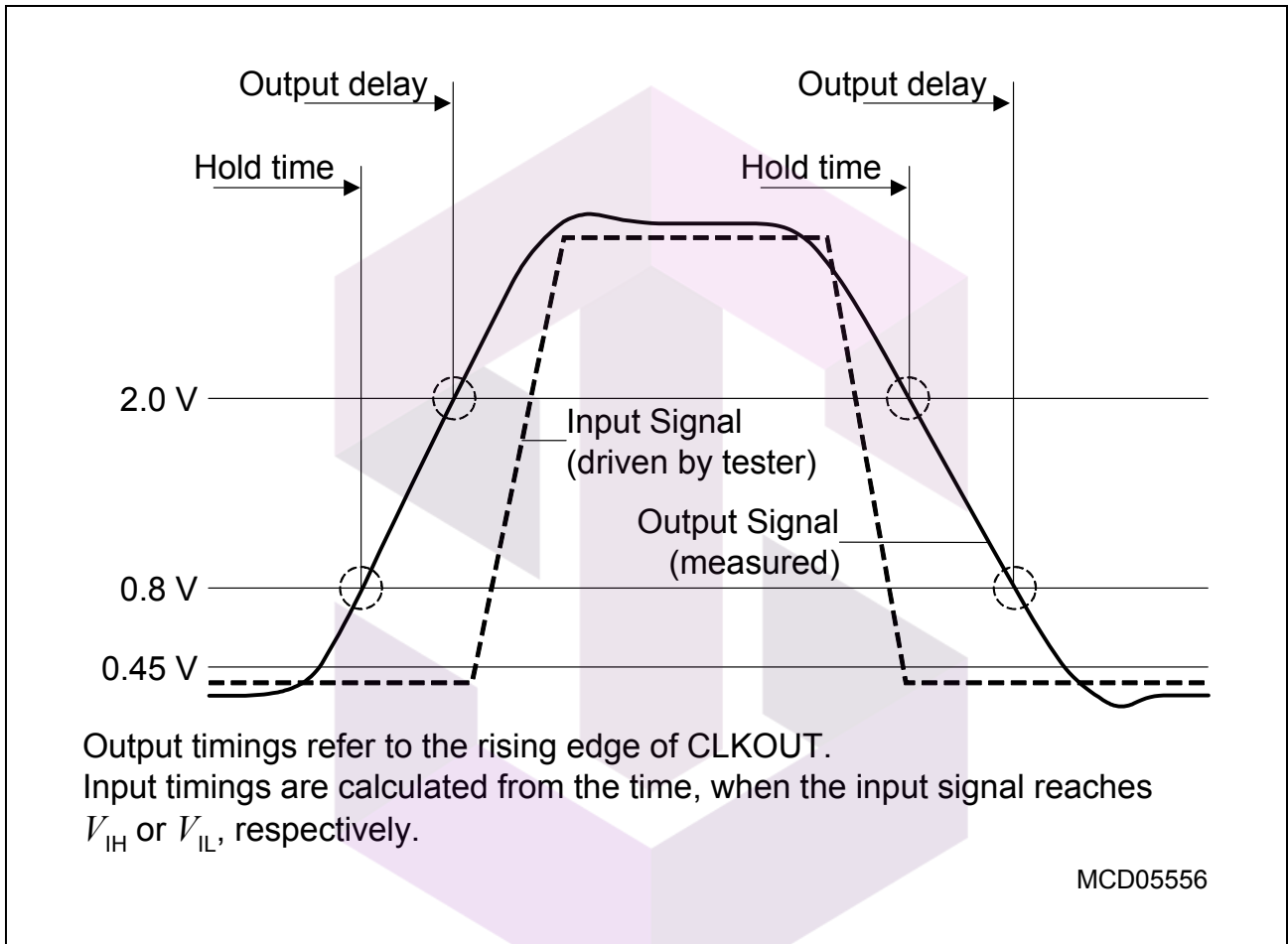


Figure 18 Input Output Waveforms

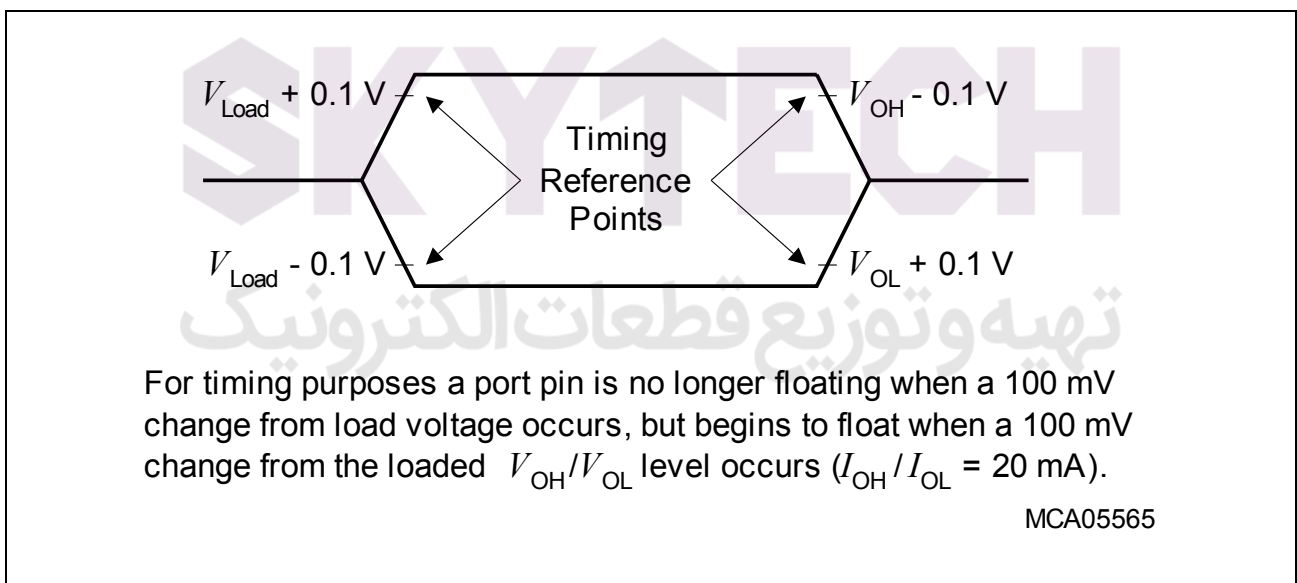


Figure 19 Float Waveforms

#### 4.4.5 External Bus Timing

Table 20 CLKOUT Reference Signal

| Parameter         | Symbol      | Unit | Limit Values           |      |
|-------------------|-------------|------|------------------------|------|
|                   |             |      | Min.                   | Max. |
| CLKOUT cycle time | $t_{C5}$ CC |      | 40/30/25 <sup>1)</sup> |      |
| CLKOUT high time  | $t_{C6}$ CC | ns   | 8                      | –    |
| CLKOUT low time   | $t_{C7}$ CC | ns   | 6                      | –    |
| CLKOUT rise time  | $t_{C8}$ CC | ns   | –                      | 4    |
| CLKOUT fall time  | $t_{C9}$ CC | ns   | –                      | 4    |

1) The CLKOUT cycle time is influenced by the PLL jitter (given values apply to  $f_{CPU} = 25/33/40$  MHz). For longer periods the relative deviation decreases (see PLL deviation formula).

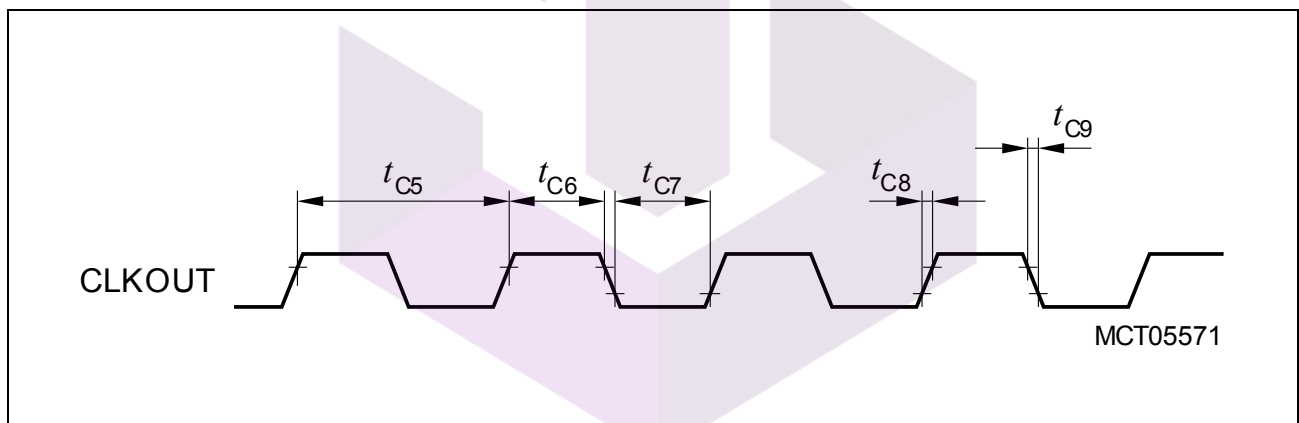


Figure 20 CLKOUT Signal Timing

SKYTECH

تهیه و توزیع قطعات الکترونیک

### Variable Memory Cycles

External bus cycles of the XC164CS are executed in five subsequent cycle phases (AB, C, D, E, F). The duration of each cycle phase is programmable (via the TCONCSx registers) to adapt the external bus cycles to the respective external module (memory, peripheral, etc.).

This table provides a summary of the phases and the respective choices for their duration.

**Table 21 Programmable Bus Cycle Phases** (see timing diagrams)

| Bus Cycle Phase  | Parameter | Valid Values | Unit |
|--|-----------|--------------|------|
| Address setup phase, the standard duration of this phase (1 ... 2 TCP) can be extended by 0 ... 3 TCP if the address window is changed | $tp_{AB}$ | 1 ... 2 (5)  | TCP  |
| Command delay phase  | $tp_C$    | 0 ... 3      | TCP  |
| Write Data setup/MUX Tristate phase  | $tp_D$    | 0 ... 1      | TCP  |
| Access phase   | $tp_E$    | 1 ... 32     | TCP  |
| Address/Write Data hold phase  | $tp_F$    | 0 ... 3      | TCP  |

*Note: The bandwidth of a parameter (minimum and maximum value) covers the whole operating range (temperature, voltage) as well as process variations. Within a given device, however, this bandwidth is smaller than the specified range. This is also due to interdependencies between certain parameters. Some of these interdependencies are described in additional notes (see standard timing).*

**SKYTECH**

تهیه و توزیع قطعات الکترونیک

**Electrical Parameters**
**Table 22 External Bus Cycle Timing (Operating Conditions apply)**

| Parameter   | Symbol       | Limit Values |      | Unit |
|---|--------------|--------------|------|------|
|   |              | Min.         | Max. |      |
| Output valid delay for:<br>$\overline{\text{RD}}$ , $\overline{\text{WR}}(\text{L}/\text{H})$ | $t_{c10}$ CC | 1            | 15   | ns   |
| Output valid delay for:<br>$\overline{\text{BHE}}$ , ALE                                      | $t_{c11}$ CC | -1           | 8    | ns   |
| Output valid delay for:<br>A23 ... A16, A15 ... A0 (on PORT1)                                 | $t_{c12}$ CC | 3            | 18   | ns   |
| Output valid delay for:<br>A15 ... A0 (on PORT0)  | $t_{c13}$ CC | 3            | 18   | ns   |
| Output valid delay for:<br>$\overline{\text{CS}}$   | $t_{c14}$ CC | 3            | 16   | ns   |
| Output valid delay for:<br>D15 ... D0 (write data, MUX-mode)                                  | $t_{c15}$ CC | 3            | 19   | ns   |
| Output valid delay for:<br>D15 ... D0 (write data, DEMUX-mode)                                | $t_{c16}$ CC | 2            | 16   | ns   |
| Output hold time for:<br>$\overline{\text{RD}}$ , $\overline{\text{WR}}(\text{L}/\text{H})$   | $t_{c20}$ CC | -3           | 4    | ns   |
| Output hold time for:<br>$\overline{\text{BHE}}$ , ALE  | $t_{c21}$ CC | 0            | 11   | ns   |
| Output hold time for:<br>A23 ... A16, A15 ... A0 (on PORT0)                                   | $t_{c23}$ CC | 1            | 13   | ns   |
| Output hold time for:<br>$\overline{\text{CS}}$   | $t_{c24}$ CC | -2           | 4    | ns   |
| Output hold time for:<br>D15 ... D0 (write data)  | $t_{c25}$ CC | 1            | 13   | ns   |
| Input setup time for:<br>D15 ... D0 (read data)   | $t_{c30}$ SR | 29           | –    | ns   |
| Input hold time<br>D15 ... D0 (read data) <sup>1)</sup>                                       | $t_{c31}$ SR | -5           | –    | ns   |

1) Read data are latched with the same (internal) clock edge that triggers the address change and the rising edge of  $\overline{\text{RD}}$ . Therefore address changes before the end of  $\overline{\text{RD}}$  have no impact on (demultiplexed) read cycles. Read data can be removed after the rising edge of  $\overline{\text{RD}}$ .

*Note: The shaded parameters have been verified by characterization.  
They are not subject to production test.*



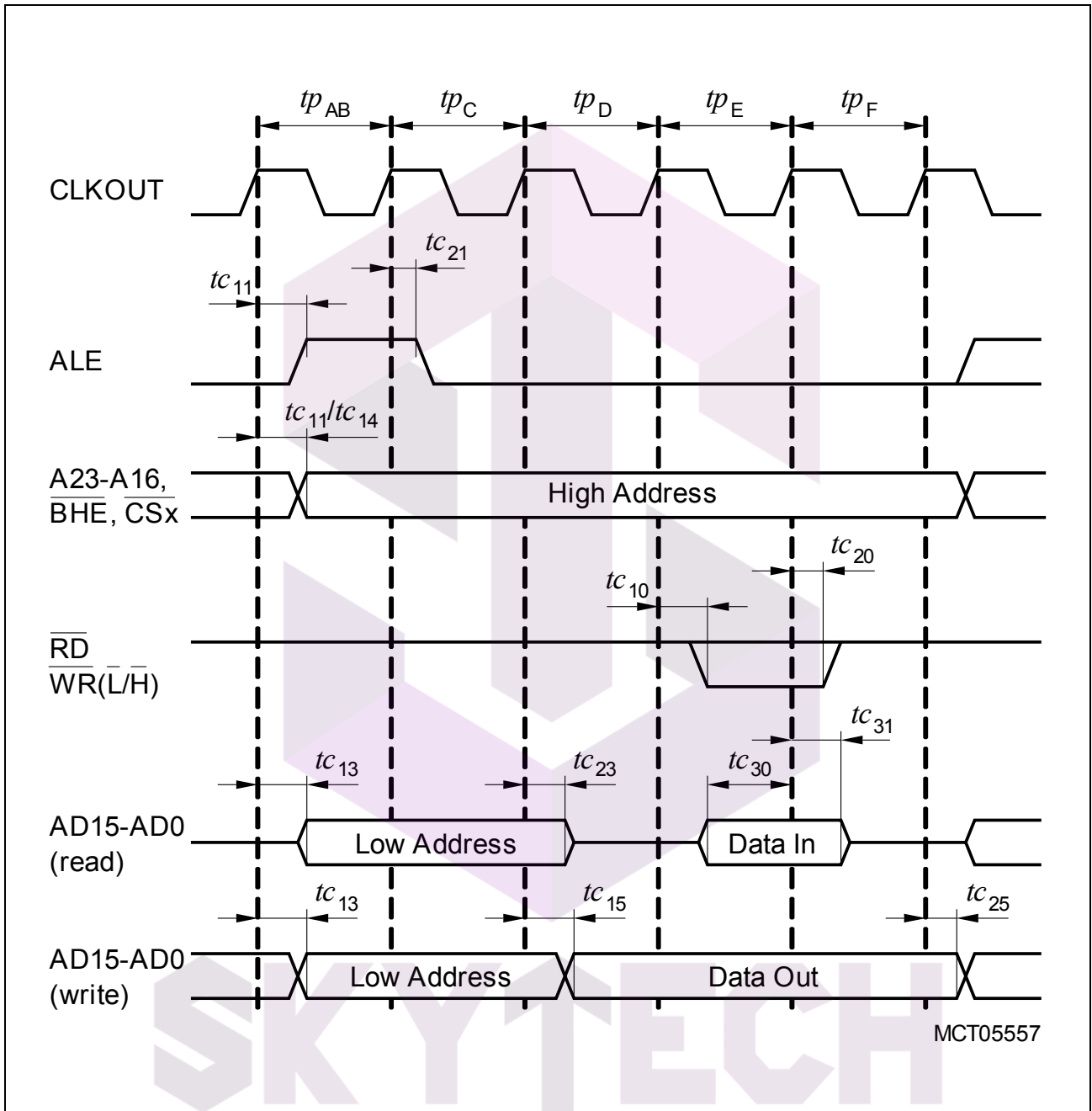


Figure 21 Multiplexed Bus Cycle

تهیه و توزیع قطعات الکترونیک

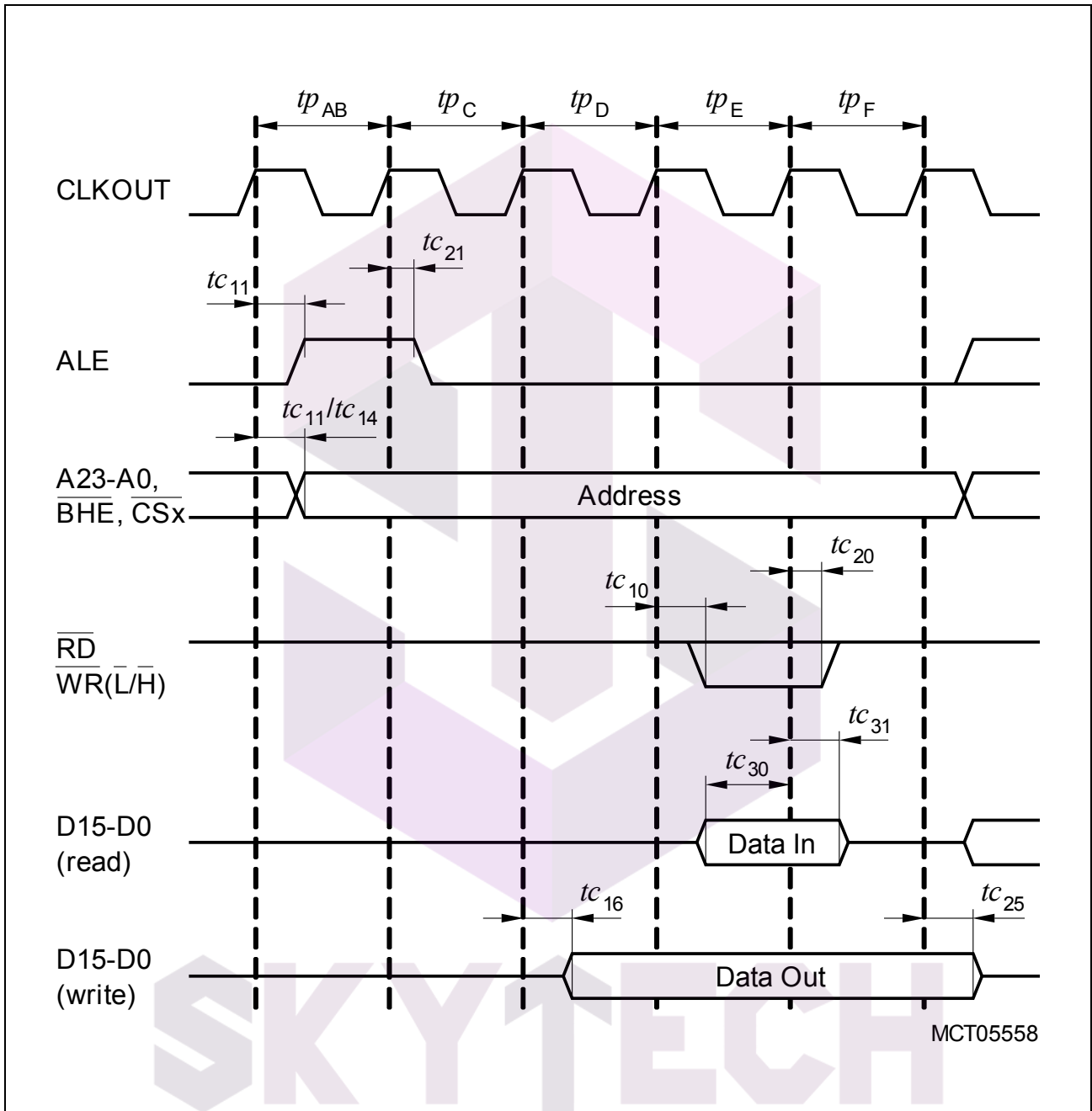


Figure 22 Demultiplexed Bus Cycle

تهیه و توزیع قطعات الکترونیک

## 5 Package and Reliability

### 5.1 Packaging

**Table 23 Package Parameters**

| Parameter                             | Symbol          | Limit Values |      | Unit | Notes |
|---------------------------------------|-----------------|--------------|------|------|-------|
|                                       |                 | Min.         | Max. |      |       |
| <b>Green Package PG-TQFP-100-5</b>    |                 |              |      |      |       |
| Thermal resistance junction to case   | $R_{\Theta JC}$ | –            | 8    | K/W  | –     |
| Thermal resistance junction to leads  | $R_{\Theta JL}$ | –            | 31   | K/W  | –     |
| <b>Standard Package P-TQFP-100-16</b> |                 |              |      |      |       |
| Thermal resistance junction to case   | $R_{\Theta JC}$ | –            | 7    | K/W  | –     |
| Thermal resistance junction to leads  | $R_{\Theta JL}$ | –            | 23   | K/W  | –     |

SKYTECH

تهیه و توزیع قطعات الکترونیک



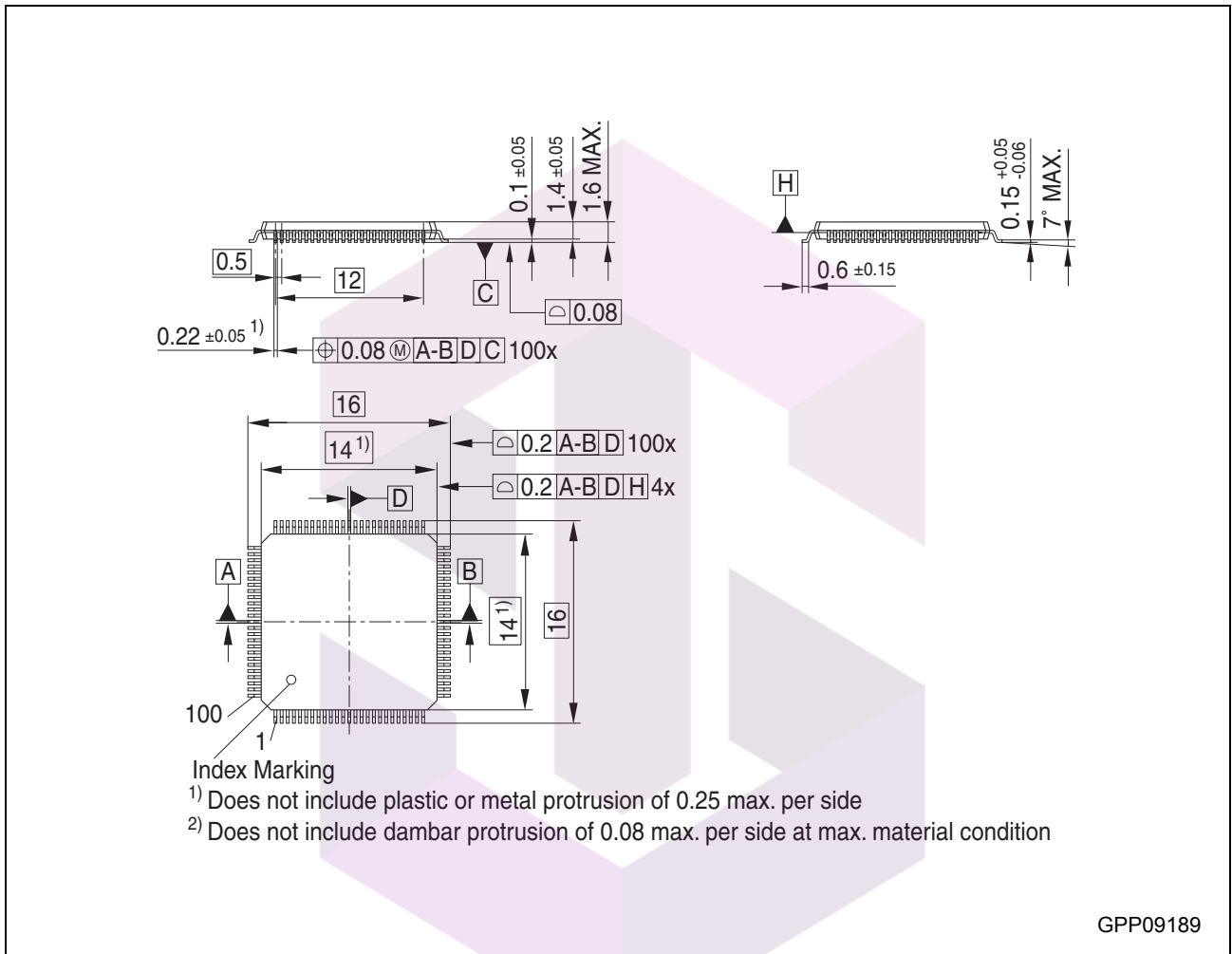


Figure 24 P-TQFP-100-16 (Plastic - Thin Quad Flat Package)

SKYTECH

تهیه و توزیع قطعات الکترونیک

## 5.2 Flash Memory Parameters

The data retention time of the XC164CS's Flash memory (i.e. the time after which stored data can still be retrieved) depends on the number of times the Flash memory has been erased and programmed.

**Table 24 Flash Parameters (XC164CS, 256 Kbytes)**

| Parameter             | Symbol    | Limit Values     |      | Unit  | Notes                            |
|-----------------------|-----------|------------------|------|-------|----------------------------------|
|                       |           | Min.             | Max. |       |                                  |
| Data retention time   | $t_{RET}$ | 15               | –    | years | Max. $10^3$ erase/program cycles |
| Flash Erase Endurance | $N_{ER}$  | $20 \times 10^3$ | –    | –     | Max. data retention time 5 years |

SKYTECH

تهیه و توزیع قطعات الکترونیک



SKYTECH

تهیه و توزیع قطعات الکترونیک

[www.infineon.com](http://www.infineon.com)

Published by Infineon Technologies AG